

*If you have questions or comments, contact us.
Pour toute question ou tout commentaire, nous contacter.
Si tiene dudas o comentarios, contáctenos.*

1-800-4-DEWALT • www.dewalt.com

**INSTRUCTION MANUAL
GUIDE D'UTILISATION
MANUAL DE INSTRUCCIONES**

INSTRUCTIVO DE OPERACIÓN, CENTROS DE SERVICIO Y PÓLIZA
DE GARANTÍA. **ADVERTENCIA:** LÉASE ESTE INSTRUCTIVO
ANTES DE USAR EL PRODUCTO.

DEWALT®

D28700 Heavy-Duty 14" (355mm) Chop Saw

Scie fendeuse à service intensif de 355mm (14") D28700

Sierra circular estacionaria de 355 mm (14 pulg.) para trabajo pesado D28700

IF YOU HAVE ANY QUESTIONS OR COMMENTS ABOUT THIS OR ANY DeWALT TOOL, CALL US TOLL FREE AT: **1-800-4-DeWALT (1-800-433-9258)**

Important Safety Instructions

⚠ WARNING! Read and understand all instructions. Failure to follow all instructions listed below may result in electric shock, fire and/or serious personal injury.

SAVE THESE INSTRUCTIONS

- **KEEP GUARDS IN PLACE** and in working order.
- **REMOVE ADJUSTING KEYS AND WRENCHES.** Form habit of checking to see that keys and adjusting wrenches are removed from tool before turning it on.
- **KEEP WORK AREA CLEAN.** Cluttered areas and benches invite injuries.
- **DON'T USE IN DANGEROUS ENVIRONMENT.** Don't use power tools in damp or wet locations, or expose them to rain. Keep work area well lighted.
- **KEEP CHILDREN AWAY.** All visitors should be kept at a safe distance from work area.
- **MAKE WORKSHOP KID PROOF** with padlocks, master switches, or by removing starter keys.
- **DON'T FORCE TOOL.** It will do the job better and safer at the rate for which it was designed.
- **USE RIGHT TOOL.** Don't force tool or attachment to do a job for which it was not designed.
- **USE PROPER EXTENSION CORD.** Make sure your extension cord is in good condition. When using an extension cord, be sure to use one heavy enough to carry the current your product will draw. An undersized cord will cause a drop in line voltage resulting in loss of power and overheating. The following table shows the correct size to use depending on cord length and nameplate ampere rating. If in doubt, use the next heavier gage. The smaller the gage number, the heavier the cord.

Volts	Minimum Gage for Cord Sets				
	Total Length of Cord in Feet				
120V	0-25	26-50	51-100	101-150	
240V	0-50	51-100	101-200	201-300	
Ampere Rating		American Wire Gage			
More Than	Not more Than				
10	- 12	16	16	14	12
12	- 16	14	12	Not Recommended	

- **WEAR PROPER APPAREL.** Do not wear loose clothing, neckties, rings, bracelets, or other jewelry which may get caught in moving parts. Nonslip footwear is recommended. Wear protective hair covering to contain long hair. Air vents often cover moving parts and should also be avoided.
- **ALWAYS USE SAFETY GLASSES** which meet the ANSI Z87.1 requirements. Also use face or dust mask if cutting operation is dusty. Everyday eyeglasses only have impact resistant lenses, they are not safety glasses.
- **SECURE WORK.** Use clamps or a vise to hold work. It's safer than using your hand and it frees both hands to operate tool.
- **DON'T OVERREACH.** Keep proper footing and balance at all times.
- **MAINTAIN TOOLS WITH CARE.** Keep tools sharp and clean for best and safest performance. Follow instructions for lubricating and changing accessories.
- **DISCONNECT TOOLS** before servicing; when changing accessories, such as blades, bits, cutters, and the like.
- **REDUCE THE RISK OF UNINTENTIONAL STARTING.** Make sure switch is in off position before plugging in.
- **USE RECOMMENDED ACCESSORIES.** Consult the instruction manual for recommended accessories. The use of improper accessories may cause risk of injury to persons.
- **NEVER STAND ON TOOL.** Serious injury could occur if the tool is tipped or if the cutting tool is unintentionally contacted.

English

- **CHECK DAMAGED PARTS.** Before further use of the tool, a guard or other part that is damaged should be carefully checked to determine that it will operate properly and perform its intended function — check for alignment of moving parts, binding of moving parts, breakage of parts, mounting, and any other conditions that may affect its operation. A guard or other part that is damaged should be properly repaired or replaced.
- **NEVER LEAVE TOOL RUNNING UNATTENDED. TURN POWER OFF.** Don't leave tool until it comes to a complete stop.
- **REPLACEMENT PARTS.** When servicing use only identical replacement parts.
- **TO REDUCE THE RISK OF ELECTRIC SHOCK:**
 - a. This equipment may have a polarized plug (one blade is wider than the other.) This plug will fit in a polarized outlet only one way. If the plug does not fit, contact a qualified electrician to install the proper outlet.
 - b. The tool may be equipped with a 3-prong grounding type plug. This plug is to be used in a grounded outlet only. If the plug does not fit, contact a qualified electrician to install the proper outlet.
 - c. Do not alter the plug in any way.

Additional Safety Rules for Chop Saw

- **Always wear proper eye and respiratory protection.**
- **Before using, inspect the cutting wheel for cracks or flaws. If such a crack or flaw is evident, discard the wheel. The wheel should also be inspected whenever you think the tool may have been dropped. Flaws may cause wheel breakage.**
- **When starting the tool with a new or replacement wheel or if you are unsure of the condition of the wheel, hold the tool in a well protected area and let it run for one minute. If the wheel has an undetected crack or flaw, it should burst in less than one minute. Never start the tool with a person in line with the wheel. This includes the operator.**
- **In operation, avoid bouncing the wheel or giving it rough treatment.** If this occurs, stop the tool and inspect the wheel for cracks or flaws.
- Clean your chop saw periodically following the procedure in this manual.
- Do not remove wheel guards or base.
- **ALWAYS USE THE VISE OR SPECIAL FIXTURE TO CLAMP WORK SECURELY.** Other aids such as spring, bar, or C-clamps may be appropriate for certain sizes and shapes of workpiece. Use care in selecting and placing these clamps and make a dry run before making a cut.
- Use only 14" type 1 wheels rated at 4100 rpm or higher.
- Allow cut off parts to cool before handling.
- Do not attempt to cut wood or plastic with this tool.
- **NEVER CUT MAGNESIUM WITH THIS TOOL.**
- Use chop saw in a well-ventilated area.
- Turn chop saw off before removing any pieces from the base.
- **DO NOT CUT ELECTRICALLY LIVE MATERIAL.**
- **Do not use circular saw blades or any other toothed blades with this tool.** Serious injury may result.
- **DO NOT OPERATE THIS TOOL NEAR FLAMMABLE LIQUIDS, GASES OR DUST.** Sparks or hot chips from cutting or arcing motor brushes may ignite combustible materials.
- Do not use the side of the abrasive wheel as a deburring grinder. This will substantially weaken the wheel creating an unsafe condition. The wheel may come apart .

⚠ CAUTION: Wear appropriate hearing protection during use. Under some conditions and duration of use, noise from this product may contribute to hearing loss.

⚠ CAUTION: Spark deflector will get hot. Avoid touching or adjusting while hot. Keep cordset and materials away from spark deflector.

⚠ WARNING: Some dust created by power sanding, sawing, grinding, drilling, and other construction activities contains chemicals known to the State of California to cause cancer, birth defects, or other reproductive harm. Some examples of these chemicals are:

- lead from lead-based paints,
- crystalline silica from bricks and cement and other masonry products, and
- arsenic and chromium from chemically-treated lumber (CCA).

Your risk from these exposures varies, depending on how often you do this type of work. To reduce your exposure to these chemicals: work in a well ventilated area, and work with approved safety equipment, such as those dust masks that are specially designed to filter out microscopic particles.

- **Avoid prolonged contact with dust from power sanding, sawing, grinding, drilling, and other construction activities. Wear protective clothing and wash exposed areas with soap and water.** Allowing dust to get into your mouth, eyes, or lay on the skin may promote absorption of harmful chemicals.

⚠ WARNING: Use of this tool can generate and/or disburse dust, which may cause serious and permanent respiratory or other injury. Always use NIOSH/OSHA approved respiratory protection appropriate for the dust exposure. Direct particles away from face and body.

For your convenience and safety, the following warnings are on your Heavy-Duty 14" (355mm) Chop Saw:

⚠ FOR SAFE OPERATION READ THE INSTRUCTION MANUAL.

DO NOT USE TOOTHED BLADES.

USE ONLY REINFORCED WHEELS RATED 4100 RPM OR HIGHER.

WHEN SERVICING USE ONLY IDENTICAL REPLACEMENT PARTS.

ALWAYS: WEAR EYE PROTECTION, USE GUARDS, CLAMP WORK IN VISE, USE PROPER RESPIRATORY PROTECTION.

DO NOT EXPOSE TO RAIN OR USE IN DAMP LOCATIONS.

FEATURES (Fig. 1, 4)

- | | |
|--------------------------|---------------------|
| A. Lock pin | J. Wheel |
| B. Spark deflector screw | K. Guard |
| C. Spark deflector | L. Wheel lock lever |
| D. Base | M. Depth stop bolt |
| E. Fence | N. Trigger switch |
| F. Vise | O. Padlock hole |
| G. 8mm hex wrench | P. Jam nut |
| H. Crank | Q. Fence bolts |
| I. Vise lever | |

Power Supply

Be sure your power supply agrees with the nameplate marking. 120 volts, "60 Hz" means alternating current (normal 120 volt, 60 Hz house current).

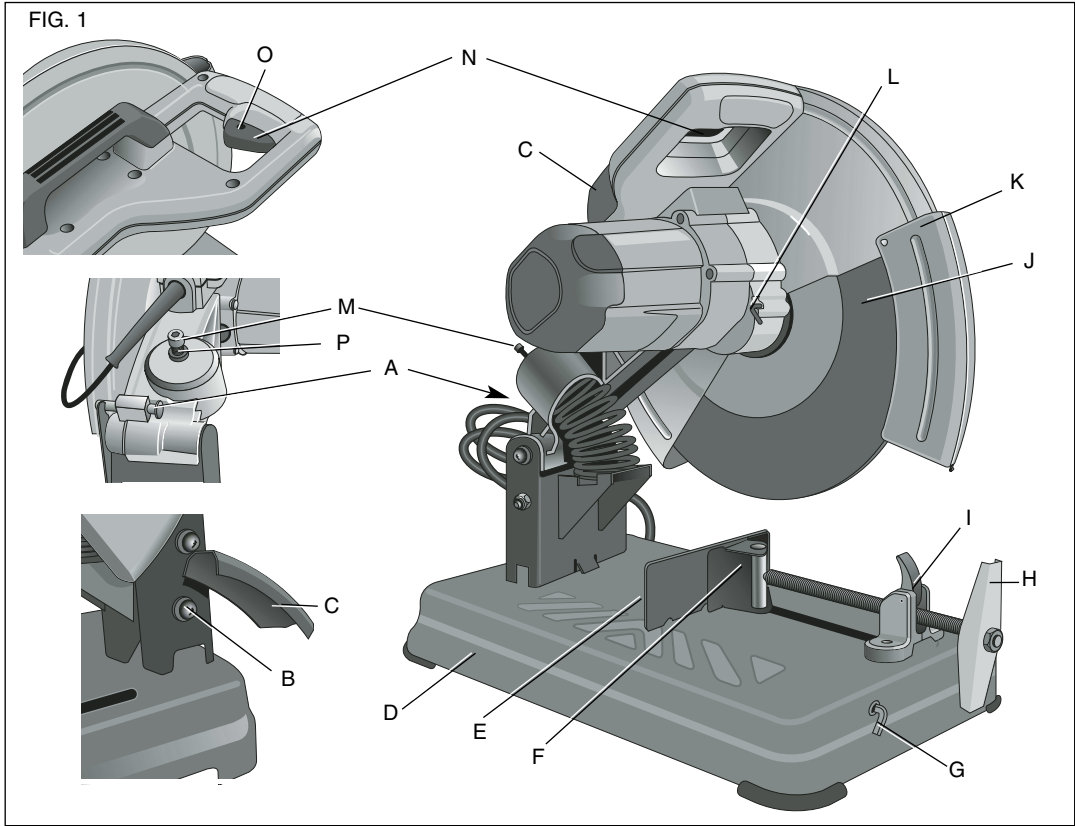
A voltage decrease of more than 10% will cause a loss of power and overheating.

Cutting Capacity

The wide vise opening and high pivot point provide cutting capacity for many large pieces. Use the cutting capacity chart to determine total maximum size of cuts that can be made with a new wheel.

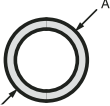
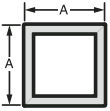
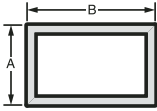
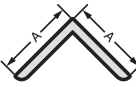
⚠ CAUTION: CERTAIN LARGE, CIRCULAR OR IRREGULARLY SHAPED OBJECTS MAY REQUIRE ADDITIONAL HOLDING MEANS IF THEY CANNOT BE HELD SECURELY IN VISE.

⚠ CAUTION: DO NOT CUT MAGNESIUM WITH THIS TOOL.



MAXIMUM CUTTING CAPACITY

NOTE: Capacity shown on chart assumes no wheel wear and optimum fence position.

Workpiece Shape:				
			A x B	
90° Cutting Angle	A = 4.5" (115mm)	A = 4-11/16" (119mm)	4-1/2" x 5-1/8" (115mm x 130mm) 4" x 7-5/8" (102mm x 194mm) 3" x 9" (76mm x 229mm)	A = 5-3/8" (137mm)
45° Cutting Angle	A = 3-13/16" (98mm)	A = 3-13/16" (98mm)	4-1/2" x 3-13/16" (115mm x 98mm)	A = 3-13/16" (98mm)

Standard Equipment

- 1 14" (355mm) Metal Cutting Abrasive Wheel
- 1 Wheel Wrench
- 1 Instruction manual

To Carry (Fig. 1)

Fold down unit to position where you can carry the saw. Push in lock pin (A) to lock arm down.

Unlocking (Fig. 1)

To unlock tool and raise head, depress motor arm slightly and pull lock pin (A) out. Motor arm will then pivot upward.

Material Clamping and Supporting

- Angles are best clamped and cut with both legs resting against base.
- A spacer block slightly narrower than the workpiece can be used to increase wheel utilization (Fig. 2).
- Long workpieces must be supported by a block so it will be level with top of base (Fig. 3). The cut-off end should be free to fall downward to avoid wheel binding.

Spark Deflector Adjustment (Fig. 1)

To best deflect sparks away from surrounding persons and materials, loosen the screw (B), adjust the spark deflector (C) and then retighten screw. Do not allow cordset to come into contact with deflector or sparks as damage to cordset may occur.

FIG. 2

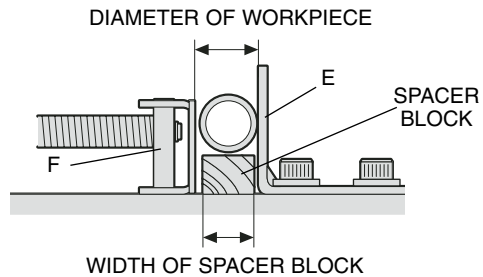


FIG. 3

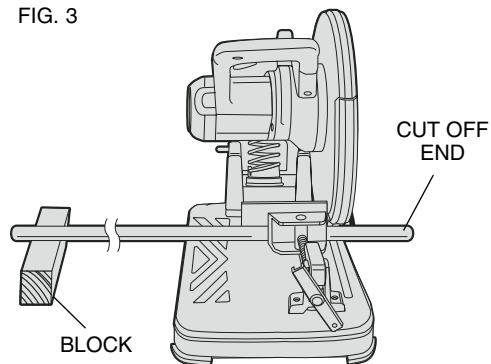
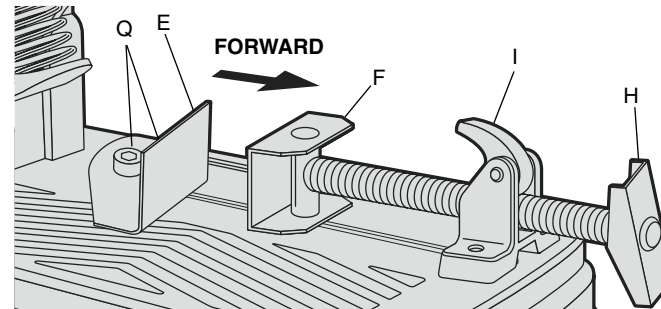


FIG. 4



Vise Operation (Fig. 4)

The vise (F) has a quick-travel feature. To release the vise when it is clamped tightly, turn the crank (H) counterclockwise one or two times to remove clamping pressure. Lift vise lever (I) up. Pull crank assembly out as far as desired. Vise may be pushed forward into work without cranking. Lower vise lever (I) then tighten vise (F) on work by using crank (H).

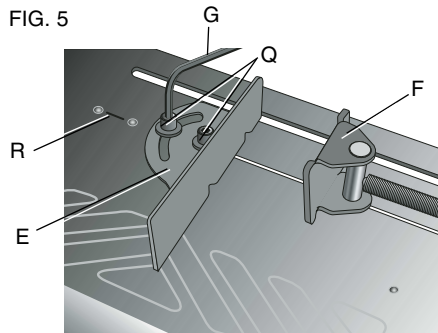
Fence Operation

⚠ CAUTION: Turn off and unplug the tool before making any adjustments or removing or installing attachments or accessories. Be sure the trigger switch is in the OFF position.

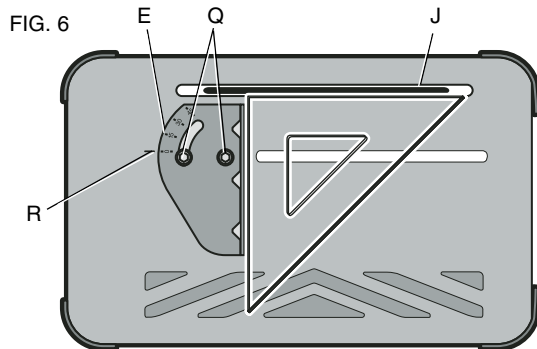
The fence (E) can be adjusted two ways: to change desired cutting angle and to change spacing between the fence and vise.

TO CHANGE THE DESIRED CUTTING ANGLE (FIG. 5, 6)

Use the wrench provided to loosen (do not remove) the two fence bolts (Q). Align the desired angle indicator line with the slot line (R) in the base (D). Securely tighten both fence bolts before use.



For more accurate square cuts, disconnect the power supply, loosen the two fence bolts, push arm down until wheel extends into base. Place a square against the wheel and adjust fence against the square. Securely tighten both fence bolts before use.



When making a miter cut, the vise (F) may not clamp securely, depending on the thickness of the workpiece and the miter angle. Other aids (such as spring, bar or C-clamps) will be necessary to secure the workpiece to the fence when making these cuts.

TO CHANGE SPACING BETWEEN THE FENCE AND VISE

Using the wrench provided, loosen and remove the two fence bolts (Q). Adjust the fence (E) to desired locations. Insert both fence bolts in provided locations. Securely tighten both fence bolts before use.

Depth Stop (Fig. 1)

Depth stop is set at the factory for a new 14" (355mm) wheel to prevent wheel from cutting into the supporting surface. To allow more depth of cut, use the 8mm hex wrench (G) provided to loosen the depth stop bolt (M) and raise bolt to desired height and then turn jam nut (P) clockwise until seated firmly on the casting. Securely tighten the depth stop bolt before use.

CAUTION: When changing to a new wheel, readjust depth stop to original position to prevent cutting into supporting surface.

Trigger Switch (Fig. 1)

To start the tool, depress the trigger switch (N). To turn the tool off, release the trigger switch. Keep hands and material from wheel until it has coasted to a stop.

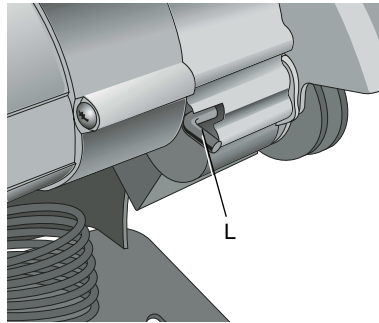
To prevent unauthorized use of tool, install a standard padlock (not included) into the padlock hole (O) located in the trigger.

Removal and Installation of Wheels (Fig. 7, 8)

CAUTION: Turn off and unplug the tool before making any adjustments or removing or installing attachments or accessories. Be sure the trigger switch is in the OFF position. Do not make any adjustment while the wheel is in motion. Do not make any adjustment while chop saw is plugged into power supply.

1. Push in wheel lock lever (L) and rotate wheel (J) by hand until wheel lock lever engages slot in inside flange (S) to lock wheel. Loosen the bolt (T) counterclockwise in the center of the abrasive wheel with the 8mm hex wrench (G). Bolt has right-hand thread.

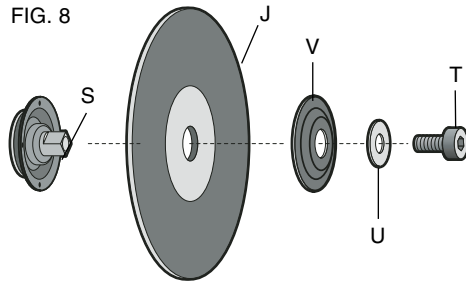
FIG. 7



2. Remove the bolt (T), washer (U), outside flange (V) and old wheel (J).
3. Make sure flange surfaces are clean and flat. Install the new abrasive wheel by reversing the above steps.
4. Do not overtighten bolt.

▲ WARNING: Check the work surface that the chop saw rests on when replacing with a new abrasive wheel. It is possible that the wheel may contact ANY ITEMS OR STRUCTURE THAT EXTENDS ABOVE work surface (under the base) when the arm is fully lowered.

FIG. 8



Mounting

▲ CAUTION: Tool must be supported on stable, level, non-skid surface to prevent unexpected movement when operating.

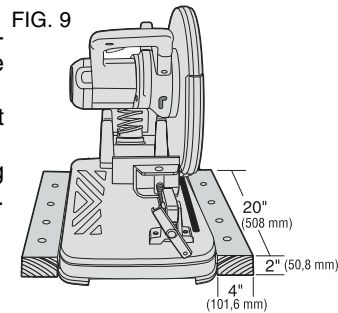
PROCEDURE FOR PERMANENT MOUNTING

1. Mark through the holes in the base (D) and drill two holes, 5/16" (7.94mm) diameter, through the mounting surface.
2. Use 1/4" (6.35mm) fasteners to securely mount base to mounting surface.

CRADLE MOUNTING (FIG. 9)

1. Cut two boards approximately 20" long x 2" high x 4" wide (508 x 50.8 x 101.6mm).
2. Place the chop saw at desired work location.
3. Place boards tightly along side and nail to work surface.

FIG. 9



Operation Tips for More Accurate Cuts

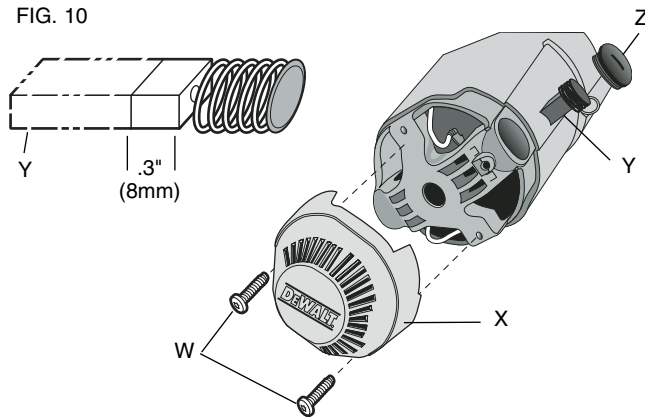
- Allow the wheel to do the cutting. Excessive force will cause the wheel to glaze reducing cutting efficiency and/or to deflect causing inaccurate cuts.
- Properly adjust fence angle.
- Make sure material is laying flat across base.
- Properly clamp material to avoid movement and vibration.

MAINTENANCE

Motor Brush Inspection and Replacement (Fig. 10)

▲ WARNING: Turn off and unplug the tool. Be sure the trigger switch is in the OFF position.

FIG. 10



Brushes should be regularly inspected for wear. To inspect brushes, unscrew the two end cap screws (W) and remove end cap (X). Remove brush cap (Z). Brushes (Y) should slide freely in brush box. If brushes are worn down to .3" (8mm) as shown in Figure 10 they should be replaced. To reinstall, push new brush back into brush box. If replacing existing brush, maintain same orientation as when removed. Replace the brush cap (**do not overtighten**). Replace end cap and two screws. Tighten securely.

Cleaning

Blowing dust and grit out of the main housing by means of an air hose is recommended and may be done as often as dirt is seen collecting in and around the air vents. Always wear proper eye and respiratory protection.

Repairs

To assure product SAFETY and RELIABILITY, repairs, maintenance and adjustment should be performed by authorized service

centers or other qualified service organizations, always using identical replacement parts.

NOTE: Unit may be converted to a 3-wire twist lock cord set at an authorized service center.

Lubrication

Closed-type, grease-sealed ball bearings are used throughout. These bearings have sufficient lubrication packed in them at the factory to last the life of the chop saw.

Accessories

⚠ CAUTION: The use of any other accessory not recommended for use with this tool could be hazardous.

Use only high-strength Type 1 organic bonded wheels rated 4100 rpm or higher.

Recommended accessories for use with your tool are available at extra cost from your local dealer or authorized service center. If you need assistance in locating your local dealer or authorized service center contact: DeWALT Industrial Tool Co., 701 East Joppa Road, Baltimore, MD 21286 or call 1-800-4-DeWALT (1-800-433-9258).

Three Year Limited Warranty

DeWALT will repair, without charge, any defects due to faulty materials or workmanship for three years from the date of purchase. This warranty does not cover part failure due to normal wear or tool abuse. For further detail of warranty coverage and warranty repair information, visit www.dewalt.com or call 1-800-4-DeWALT. This warranty does not apply to accessories or damage caused where repairs have been made or attempted by others. This warranty gives you specific legal rights and you may have other rights which vary in certain states or provinces.

In addition to the warranty, DeWALT tools are covered by our:

1 YEAR FREE SERVICE

DeWALT will maintain the tool and replace worn parts caused by normal use, for free, any time during the first year after purchase.

90 DAY MONEY BACK GUARANTEE

If you are not completely satisfied with the performance of your DeWALT Power Tool, Laser, or Nailer for any reason, you can return it within 90 days from the date of purchase with a receipt for a full refund – no questions asked.

RECONDITIONED PRODUCT: Reconditioned product is covered under the 1 Year Free Service Warranty. The 90 Day Money Back Guarantee and the Three Year Limited Warranty do not apply to reconditioned product.

FREE WARNING LABEL REPLACEMENT: If your warning labels become illegible or are missing, call 1-800-4-DeWALT for a free replacement.

D28700 14" (355mm) CHOP SAW
SER. [REDACTED]
⚠ WARNING/ADVERTENCIA/AVERTISSEMENT
<p>FOR SAFE OPERATION READ INSTRUCTION MANUAL. DO NOT USE TOOTHED BLADES. USE ONLY REINFORCED WHEELS RATED 4100 RPM OR HIGHER. WHEN SERVICING USE ONLY IDENTICAL REPLACEMENT PARTS. ALWAYS WEAR EYE PROTECTION. USE GUARDS. CLAMP WORK IN VISE. USE PROPER RESPIRATORY PROTECTION. DO NOT EXPOSE TO RAIN OR USE IN DAMP LOCATIONS. LEA EL MANUAL DE INSTRUCCIONES PARA UN FUNCIONAMIENTO SEGURO. NO UTILICE HOJAS DENTADAS. UTILICE SOLO RUEDAS REFORZADAS PARA 4100 RPM O MAS. AL REPARAR, SOLO UTILICE PIEZAS DE REPUESTO IDENTICAS. UTILICE PROTECCION PARA LOS OJOS. SIEMPRE UTILICE LAS CUBIERTAS PROTECTORAS, ASEGURE EL TRABAJO EN EL TORNO CON LAS ABRAZADERAS, UTILICE PROTECCION ADECUADA PARA LAS VIAS RESPIRATORIAS. NO EXPONGA A LA LLUVIA NI UTILICE EN LUGARES HUMEDOS.</p> <p>POUR ASSURER UNE UTILISATION SECURITAIRE, LIRE LE MODE D'EMPLOI. NE PAS UTILISER DE LAMES DENTÉES. UTILISER UNIQUEMENT DES MEULES DONT LA CAPACITÉ NOMINALE CORRESPOND À AU MOINS 4100 TR/MIN. POUR LA RÉPARATION, UTILISER UNIQUEMENT LES PIÈCES DE RECHANGE IDENTIQUES. PORTER UNE PROTECTION OCULAIRE. TOUJOURS UTILISER DES DISPOSITIFS DE GARDE. SERRER LA PIÈCE DE TRAVAIL DANS UN ÉTAU. UTILISER UNE PROTECTION RESPIRATOIRE ADEQUATE, NE PAS EXPOSER À LA PLUIE ET NE PAS UTILISER DANS UN ENDROIT HUMIDE.</p>
<small>DeWALT INDUSTRIAL TOOL CO., BALTIMORE, MD 21286 USA FOR SERVICE INFORMATION, CALL 1-800-4-DeWALT www.DeWALT.com</small>

Troubleshooting Guide

TROUBLE! *TOOL WILL NOT START*

WHAT'S WRONG?

- 1. Tool not plugged in.
- 2. Fuse blown or circuit breaker tripped.
- 3. Cord damaged.
- 4. Brushes worn out.

WHAT TO DO...

- 1. Plug in saw.
- 2. Replace fuse or reset circuit breaker.
- 3. Have cord replaced by authorized service center.
- 4. Replace brushes.

TROUBLE! *TOOL MAKES UNSATISFACTORY CUTS*

WHAT'S WRONG?

- 1. Glazed wheel.
- 2. Workpiece incorrectly placed or clamped.

WHAT TO DO...

- 1. Dress the wheel or replace with a new one.
- 2. Firmly clamp and support workpiece.

TROUBLE! *BLADE DOES NOT COME UP TO SPEED*

WHAT'S WRONG?

- 1. Extension cord too light or too long.
- 2. Low voltage.
- 3. Low generator voltage.

WHAT TO DO...

- 1. Replace with adequate size cord. See chart on page 1.
- 2. Contact your electric company.
- 3. Check generator output voltage. Reduce number of tools powered by the generator.

TROUBLE! *TOOL VIBRATES EXCESSIVELY DURING CUT*

WHAT'S WRONG?

- 1. Tool not mounted securely to stand or work bench.
- 2. Damaged wheel.
- 3. Workpiece not clamped properly.

WHAT TO DO...

- 1. Tighten all mounting hardware. See page 8, **Procedure for Permanent Mounting.**
- 2. Replace wheel.
- 3. Refer to **Material Clamping and Supporting** page 5.

Troubleshooting Guide...**TROUBLE!** *DOES NOT MAKE ACCURATE CUTS***WHAT'S WRONG?**

1. Fence not adjusted correctly.
2. Wheel is not square to fence.
3. Excessive force used to make cut.
4. Work piece moving.

WHAT TO DO...

1. Check and adjust. See **Fence Operation** on page 6.
2. Check and adjust.
3. Reduce cutting force, let the wheel do the work.
4. Clamp workpiece securely. See **Material Clamping and Supporting** page 5. Make sure material is laying flat against the base.

TROUBLE! *CANNOT MOVE ARM***WHAT'S WRONG?**

1. Lock down pin is engaged.

WHAT TO DO...

1. Push down slightly on the arm, pull down lock down pin and raise arm.

TROUBLE! *MATERIAL MOVES DURING CUT***WHAT'S WRONG?**

1. Fence slipping or workpiece incorrectly placed or clamped.
2. Vise too loose
3. Excessive cutting force.

WHAT TO DO...

1. See **Material Clamping and Supporting** page 5.
2. Tighten vise clamping.
3. Reduce cutting force.

POUR TOUTE QUESTION OU REMARQUE AU SUJET DE CET OUTIL OU DE TOUT AUTRE OUTIL DeWALT, COMPOSER LE NUMÉRO SANS FRAIS : 1 800 4-DeWALT (1 800 433-9258)

Consignes de sécurité importantes

⚠ AVERTISSEMENT! Lire, comprendre et suivre toutes les directives précisées ci-dessous afin d'éviter les risques de choc électrique, d'incendie ou de blessure grave.

CONSERVER CES DIRECTIVES

- **GARDER LES DISPOSITIFS DE PROTECTION EN PLACE** et en bon état de fonctionnement
- **RETIRER LES CLÉS DE RÉGLAGE;** prendre l'habitude de s'assurer que les clés de réglage sont retirées de l'outil avant de le démarrer
- **GARDER L'AIRES DE TRAVAIL PROPRE;** les espaces de travail et les établis encombrés sont propices aux blessures.
- **NE PAS UTILISER L'OUTIL DANS UN ENVIRONNEMENT DANGEREUX;** ne pas exposer l'outil à la pluie, ni l'utiliser dans des endroits humides ou détremés. Garder l'aire de travail bien éclairée.
- **TENIR LES ENFANTS À L'ÉCART;** s'assurer que personne ne s'approche de l'aire de travail.
- **S'ASSURER QUE L'ATELIER EST SÛR POUR LES ENFANTS;** utiliser des cadenas, des interrupteurs centraux ou enlever les commandes de démarrage.
- **NE PAS FORCER L'OUTIL;** pour obtenir de meilleurs résultats et prévenir les risques de blessure, laisser l'outil couper à la vitesse pour laquelle il a été conçu.
- **UTILISER L'OUTIL APPROPRIÉ;** ne pas forcer l'outil ou l'accessoire, ni l'utiliser pour des travaux autres que ceux pour lesquels il a été conçu.

- **UTILISER LES RALLONGES APPROPRIÉES;** s'assurer que la rallonge électrique est en bon état et qu'elle est en mesure de supporter le courant nécessaire à l'outil. Une rallonge de calibre inférieur entraînera une chute de tension se traduisant par une perte de puissance et une surchauffe. Le tableau ci-dessous illustre les calibres que l'on doit utiliser selon la longueur de la rallonge et l'intensité nominale indiquée sur la plaque signalétique. En cas de doute, utiliser le calibre suivant. Plus le calibre est petit, plus la rallonge peut porter de courant.

Calibre minimal des rallonges					
Tension	Longueur totale de la rallonge en mètres				
120 V	De 0 à 7	De 7 à 15	De 15 à 30	De 30 à 45	
240 V	De 0 à 7	De 7 à 15	De 15 à 39	De 30 à 45	
Intensité nominale (en ampères)					
Plus de	Pas plus de	Calibre AWG			
10	12	16	16	14	12
12	16	14	12	Non recommandé	

- **PORTER DES VÊTEMENTS APPROPRIÉS;** ne pas porter de vêtements amples ni de gants, de cravate, de bague, de bracelet ou d'autres bijoux, car ceux-ci peuvent rester coincés dans les pièces mobiles. Le port de chaussures antidérapantes est recommandé. Couvrir ou attacher les cheveux longs. Se tenir éloigné des événements puisque ces derniers pourraient cacher des pièces mobiles.
- **TOUJOURS UTILISER DES LUNETTES DE PROTECTION conformes aux normes ANSI Z87.1.** Utiliser aussi un masque antipoussières si la découpe doit en produire beaucoup. Les lunettes ordinaires ne peuvent que protéger contre les impacts, ce ne sont pas des lunettes de protection.
- **ARRIMER LA PIÈCE À TRAVAILLER.** Pour ce, utiliser un serre-joint ou un étau. C'est plus sûr que de le faire manuellement et cela laisse les mains libres pour utiliser l'outil.

- **NE PAS EFFECTUER DE TRAVAUX HORS DE PORTÉE.** Les pieds doivent rester bien ancrés au sol afin de maintenir son équilibre en tout temps.
- **BIEN ENTREtenir L'OUTIL;** afin d'obtenir de meilleurs résultats et faire preuve de prudence, garder l'outil propre et bien aiguisé. Suivre les consignes lorsqu'on lubrifie ou qu'on remplace les accessoires.
- **DÉBRANCHER LES OUTILS avant tout entretien** ou changement d'accessoires, tels lames, mèches, embouts, organes de coupe ou tout autre accessoire similaire.
- **RÉDUIRE LES RISQUES DE DÉMARRAGE ACCIDENTEL;** s'assurer que l'interrupteur est en position d'arrêt avant de brancher l'outil.
- **UTILISER LES ACCESSOIRES RECOMMANDÉS;** consulter le manuel d'utilisation pour savoir quels accessoires sont appropriés. L'utilisation d'accessoires autres que ceux recommandés pourrait entraîner des blessures.
- **NE JAMAIS MONTER SUR UN OUTIL;** si l'outil se renverse ou si l'organe de coupe est touché accidentellement, cela pourrait entraîner des blessures graves.
- **VÉRIFIER LES PIÈCES ENDOMMAGÉES;** avant de poursuivre les travaux, examiner attentivement les dispositifs de protection, ou toute autre pièce endommagée, afin de s'assurer qu'ils fonctionnent toujours adéquatement et qu'ils sont en mesure d'effectuer les travaux pour lesquels ils ont été conçus. Vérifier les pièces mobiles afin de s'assurer qu'elles sont bien alignées et qu'elles ne restent pas coincées; vérifier également les pièces et les assemblages afin de s'assurer qu'il n'y a aucun bris ni aucune autre condition susceptible de nuire au bon fonctionnement de l'outil. Faire réparer ou remplacer toute pièce endommagée, y compris les dispositifs de protection.
- **NE JAMAIS LAISSER L'OUTIL FONCTIONNER SANS SURVEILLANCE; COUPER L'ALIMENTATION** et attendre que l'outil s'arrête complètement avant de quitter les lieux.
- **PIÈCES DE RECHANGE.** Lors de l'entretien, n'utiliser que des pièces de rechange identiques.
- **POUR RÉDUIRE TOUT RISQUE DE CHOC ÉLECTRIQUE :**
 - a. Cet outil peut être muni d'une fiche polarisée (l'une des lames est plus large que l'autre), laquelle ne peut être raccordée qu'à une prise polarisée et ce, dans un seul sens. Si la fiche ne rentre pas dans la prise, contacter un électricien qualifié pour faire installer la prise appropriée.
 - b. Cet outil peut être équipé d'un type de fiche à trois lames mis à la terre, qui ne peut être raccordée qu'à une prise elle-même mise à la terre. Si la fiche ne rentre pas dans la prise, contacter un électricien qualifié pour faire installer la prise appropriée.
 - c. Ne modifier la fiche en aucune façon.

Règles de sécurité additionnelles relatives aux scies fendeuses

- **Toujours porter des lunettes de protection et un appareil respiratoire antipoussières adéquats.**
- **Avant toute utilisation, vérifier que le disque de tronçonnage ne comporte ni fissures ni défauts. Dans l'affirmative, mettre le disque au rebut. Inspecter aussi le disque chaque fois que l'on suspecte que l'outil a fait une chute.** Tout défaut pourrait provoquer la casse du disque.
- **Avant de redémarrer l'outil équipé d'un disque neuf ou de rechange ou si l'on n'est pas sûr de la condition du disque, faire fonctionner l'outil pendant une minute en s'assurant d'en être bien protégé.** Si le disque est affecté d'une fêlure ou d'un défaut caché, il devrait éclater en moins d'une minute. Ne jamais démarrer l'outil lorsque quelqu'un se tient directement devant le disque. y compris l'utilisateur,
- **Pendant le fonctionnement, protéger le disque contre tout choc ou traitement brutal.** Dans cette éventualité, arrêter l'outil et vérifier que le disque de tronçonnage ne comporte ni fissures ni défauts.

- Nettoyer la scie fendeuse régulièrement en suivant la procédure incluse dans ce manuel.
 - Ne jamais retirer les protèges disque ou la base.
 - **TOUJOURS UTILISER UN ÉTAU OU TOUT AUTRE DISPOSITIF DE FIXATION POUR ARRIMER SOLIDEMENT LA PIÈCE À DÉCOUPER.** Tout autre dispositif, tels pinces à ressort, serre-joints à coulisse ou étaux en C, peut être approprié selon la taille ou la forme de la pièce à travailler. Choisir et installer soigneusement ces dispositifs de fixation puis faire fonctionner l'outil à vide avant de commencer à découper.
 - N'utiliser que des disques de type 1 de 355 mm (14 po) conçus pour un régime minimal de 4100 r/min.
 - Laisser toute pièce découpée refroidir avant toute manipulation.
 - Ne pas tenter de découper bois ou plastique avec cet outil.
 - **NE JAMAIS DÉCOUPER DE MAGNÉSIUM AVEC CET OUTIL.**
 - Utiliser la scie fendeuse dans un endroit bien ventilé.
 - Arrêter la scie fendeuse avant de retirer aucune pièce de sa base.
 - **NE DÉCOUPER AUCUN MATÉRIAU SOUS TENSION.**
 - **Ne jamais utiliser de lames pour scie circulaire avec cet outil, ni de lames dentées, afin d'éviter les risques de blessure grave.**
 - **NE PAS UTILISER CET OUTIL PRÈS DE LIQUIDES, DE GAZ OU DE POUSSIÈRES INFLAMMABLES.** Des étincelles ou copeaux brûlants, ou les balais incandescents du moteur pourraient enflammer des matériaux combustibles.
 - Ne pas utiliser le côté du disque abrasif comme une meule à ébarboir. Cela affaiblirait considérablement le disque posant ainsi des risques à l'utilisateur. Le disque pourrait se casser.
- ▲ **MISE EN GARDE : Porter un dispositif de protection personnel anti-bruit approprié durant l'utilisation.** Sous certaines conditions et selon la durée d'utilisation, le bruit émanant de ce produit pourrait contribuer à la perte d'audition.

▲ **MISE EN GARDE :** Le pare-étincelles deviendra chaud. Éviter de toucher ou de régler l'outil lorsqu'il est chaud. Tenez le cordon amovible et le matériel loin du pare-étincelles.

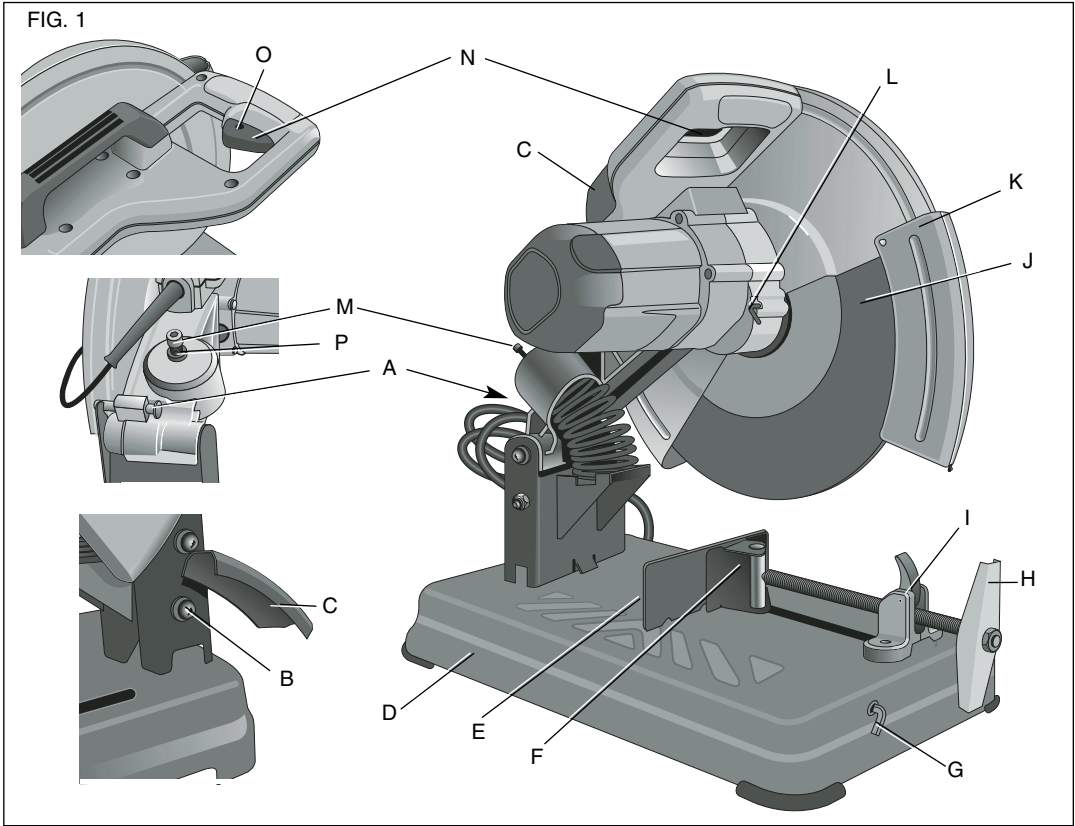
▲ **AVERTISSEMENT :** Certains outils électriques, tels que les sableuses, les scies, les meules, les perceuses ou autres outils de construction peuvent produire des poussières contenant des produits chimiques reconnus par l'état californien pour causer cancers, malformations congénitales ou être nocifs au système reproductif. Parmi ces produits chimiques, on retrouve :

- le plomb dans les peintures à base de plomb,
- la silice cristallisée dans les briques et le ciment ou autres articles de maçonnerie, et
- l'arsenic et le chrome dans le bois ayant subi un traitement chimique (ACC).

Le risque associé à de telles expositions varie selon la fréquence à laquelle on effectue ces travaux. Pour réduire toute exposition à ces produits : travailler dans un endroit bien aéré, en utilisant le matériel de sécurité approprié tel un masque antipoussières spécialement conçu pour filtrer les particules microscopiques.

- **Éviter tout contact prolongé avec la poussière soulevée par cet outil ou autres outils électriques. Porter des vêtements de protection et nettoyer les parties exposées du corps à l'eau savonneuse.** S'assurer de bien se protéger afin d'éviter d'absorber par la bouche, les yeux ou la peau des produits chimiques nocifs.

▲ **AVERTISSEMENT :** Cet outil peut produire et répandre de la poussière susceptible de causer des dommages sérieux et permanents au système respiratoire. Toujours utiliser un appareil respiratoire antipoussières approprié approuvé par le NIOSH ou l'OSHA. Diriger les particules dans le sens opposé du visage et du corps.



Pour des raisons de commodités et de sécurité, les étiquettes suivantes sont apposées sur votre scie fendeuse à service intensif de 355mm (14")

⚠ POUR VOTRE SÉCURITÉ, LIRE LE MANUEL DE L'UTILISATEUR.

NE PAS UTILISER DE LAMES DENTÉES.

N'UTILISER QUE DES DISQUES RENFORCÉS CONÇUS POUR UN RÉGIME MINIMAL DE 4100 R/MIN.

LORS DE L'ENTRETIEN, N'UTILISER QUE DES PIÈCES DE RECHANGE IDENTIQUES.

TOUJOURS : PORTER DES LUNETTES DE PROTECTION, UTILISER UN DISPOSITIF DE PROTECTION, MAINTENIR LA PIÈCE À TRAVAILLER DANS UN ÉTAU, UTILISER UN APPAREIL RESPIRATOIRE ANTIPOUSSIÈRES ADÉQUAT.

NE PAS EXPOSER L'OUTIL À LA PLUIE NI L'UTILISER DANS DES ENDROITS HUMIDES.

CARACTÉRISTIQUES (Fig. 1, 4)

- | | |
|-----------------------------------|-------------------------------------|
| A. Goupille de sécurité | J. Disque |
| B. Vis du déflecteur d'étincelles | K. Protège disque |
| C. Déflecteur d'étincelles | L. Levier de verrouillage du disque |
| D. Base | M. Boulon de butée de profondeur |
| E. Guide | N. Gâchette |
| F. Étau | O. Orifice de cadenas |
| G. Clé hexagonale de 8mm | P. Contre-écrou |
| H. Papillon de serrage | Q. Boulons du guide |
| I. Levier de l'étau | |

Alimentation

S'assurer que le courant utilisé correspond à celui recommandé sur la plaque signalétique. 120 volts, « 60 Hz » représente du courant alternatif (courant domestique normal de 120 volts et 60 Hz).

Une baisse de tension de plus de 10% entraînerait perte de puissance et surchauffe.

Capacité de coupe

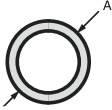
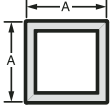
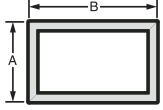
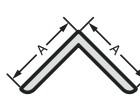
L'ouverture élargie de l'étau et le point de pivotement étendu permettent de découper de larges pièces. Utiliser la planche de capacité de coupe pour déterminer la taille maximum de coupe permise par un disque neuf.

⚠ MISE EN GARDE : CERTAINS OBJETS LARGES, CIRCULAIRES OU DE FORME IRRÉGULIÈRE PEUVENT REQUÉRIR DES MOYENS DE FIXATION ADDITIONNELS LORSQUE L'ÉTAU NE PEUT SOLIDEMENT LES MAINTENIR.

⚠ MISE EN GARDE : NE PAS DÉCOUPER DE MAGNÉSIUM AVEC CET OUTIL.

CAPACITÉS DE COUPE MAXIMALES

REMARQUE : Les capacités illustrées sur la planche présument un disque neuf et une position optimale du guide.

Forme de la pièce à travailler:				
			A x B	
Angle de coupe de 90°	A = 115 mm (4.5")	A = 119 mm (4-11/16")	115 mm x 130 mm (4-1/2 x 5-1/8") 102 mm x 194 mm (4" x 7-5/8") 76 mm x 229 mm (3" x 9")	A = 137 mm (5-3/8")
Angle de coupe de 45°	A = 98 mm (3-13/16")	A = 98 mm (3-13/16")	115 mm x 98 mm (4-1/2" x 3-13/16")	A = 98 mm (3- 3/16")

Équipement standard

- 1 Disque abrasif à métaux de 355 mm (14 po).
- 1 Clé pour écrous de roue
- 1 Manuel de l'utilisateur

Transport (fig. 1)

Replier la scie dans sa position de transport. Engager la goupille de sécurité (A) pour verrouiller le bras.

Déverrouillage (fig. 1)

Pour déverrouiller l'outil et redresser la tête, appuyer légèrement sur le bras moteur puis retirer la goupille de sécurité (A). Le bras moteur pivotera alors vers le haut.

Arrimage et support des matériaux

- Les angles sont arrimés et coupés le mieux avec les deux jambes appuyées contre la base.
- Un bloc-espaceur légèrement plus étroit que la pièce à travailler peut être utilisé pour augmenter la propension d'utilisation du disque (Fig. 2).
- Les pièces longues doivent être supportées par un bloc pour les mettre de niveau avec la base (Fig. 3). La partie découpée doit pouvoir tomber librement pour éviter de bloquer le disque.

FIG. 2

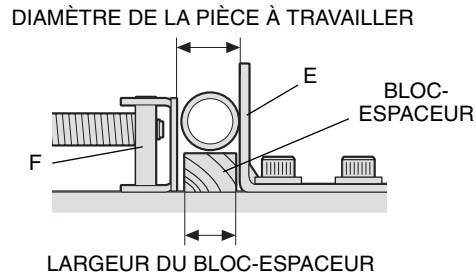
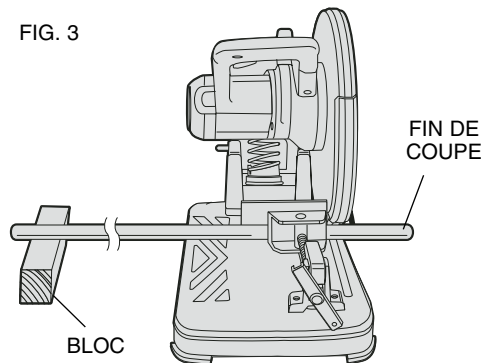


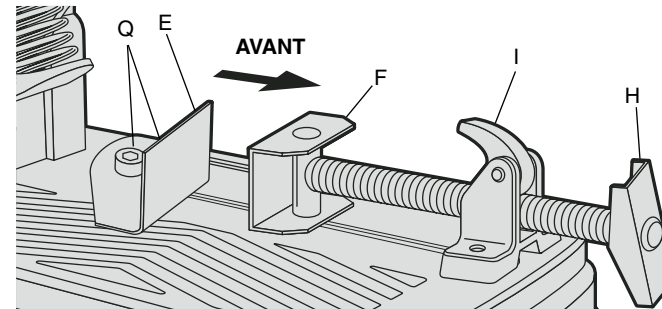
FIG. 3



Réglage du déflecteur d'étincelles (fig. 1)

Pour protéger toute personne ou matériau environnant des étincelles, dévisser la vis (B), régler le déflecteur d'étincelles (C) puis resserrer la vis. Ne laissez pas le cordon amovible entrer en contact avec le pare-étincelles ou les étincelles, car le cordon amovible risque d'être endommagé.

FIG. 4



Utilisation de l'étau (fig. 4)

L'étau (F) a été conçu pour être déplacé rapidement. Pour relâcher l'étau lorsqu'il est fermement serré, faire tourner le papillon de serrage (H) vers la gauche un ou deux tours pour relâcher la pression. Relever le levier de l'étau (I). Tirer l'ensemble du papillon de serrage jusqu'à l'emplacement désiré. L'étau peut être poussé en avant pour utilisation sans serrage. Abaisser le levier de l'étau (I) puis resserrer l'étau (F) sur la pièce à l'aide du papillon de serrage (H).

Utilisation du guide

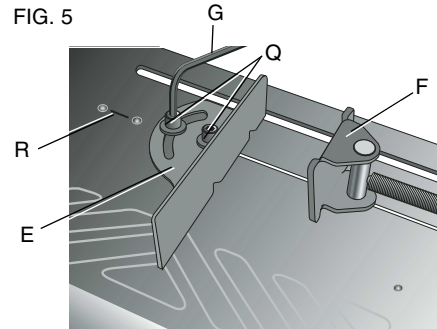
▲ MISE EN GARDE : Arrêter et débrancher l'outil avant tout réglage ou avant de retirer ou installer toute pièce ou tout accessoire. S'assurer que la gâchette est bien en position d'ARRÊT.

Le guide (E) peut prendre deux positions : pour changer l'angle de coupe ou pour changer l'écartement entre le guide et l'étau.

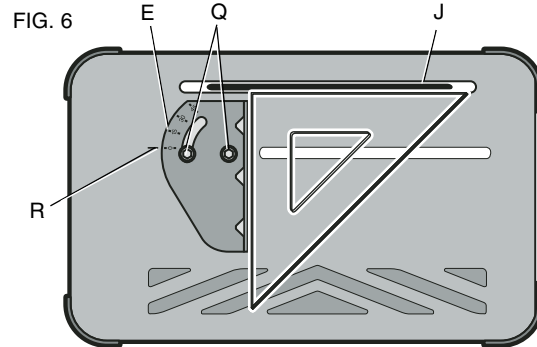
POUR CHANGER L'ANGLE DE COUPE (FIG. 5, 6)

À l'aide de la clé fournie à cet effet, desserrer (sans retirer) les deux boulons du guide (Q). Aligner la ligne d'indicateur d'angle avec la

rainure (R) sur la base (D). Resserrer à fond les deux boulons du guide avant utilisation.



Pour un coupé d'équerre plus précis, débrancher l'appareil, dévisser les deux boulons du guide, abaisser le bras jusqu'à ce que le disque atteigne la base. Placer une équerre contre le disque puis ajuster le guide contre l'équerre. Resserrer à fond les deux boulons du guide avant utilisation.



Pour faire une coupe à onglet, suivant l'épaisseur de la pièce à travailler et l'angle d'onglet, il se peut que l'étau (F) ne puisse pas arrimer la pièce solidement. D'autres dispositifs (tels pinces à ressort, serre-joints à coulisse ou étaux en C) seront nécessaires pour arrimer la pièce au guide pour effectuer ces coupes.

POUR CHANGER L'ÉCARTEMENT ENTRE LE GUIDE ET L'ÉTAU.

À l'aide de la clé fournie à cet effet, desserrer puis retirer les deux boulons du guide (Q). Régler le guide (E) à l'emplacement voulu. Insérer les deux boulons du guide dans leurs orifices respectifs. Resserrer à fond les deux boulons du guide avant utilisation.

Butée de profondeur (fig. 1)

La butée de profondeur est réglée d'usine pour les disques neufs de 355 mm (14 po) pour éviter qu'ils ne coupent la surface de support. Pour augmenter la profondeur de coupe, utiliser la clé hexagonale de 8 mm (G) fournie à cet effet pour desserrer le boulon de butée de profondeur (M) et ajuster le boulon à la hauteur désirée puis serrer fermement le contre-écrou (P) vers la droite contre le moulage. Resserrer à fond le boulon de butée de profondeur avant utilisation.

▲ MISE EN GARDE : Au moment de changer le disque, réajuster la butée de profondeur à sa position initiale pour éviter que le disque ne coupe la surface de support.

Gâchette (Fig. 1)

Pour mettre l'outil en marche, appuyer sur la gâchette (N). Pour arrêter l'outil, relâcher la gâchette. Protéger les mains et le matériau du disque tant qu'il n'est pas à l'arrêt complet.

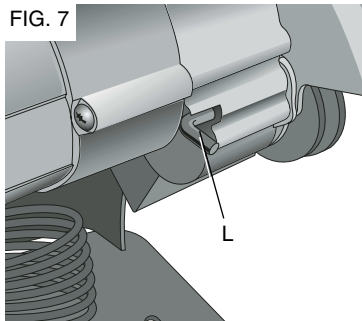
Pour prévenir toute utilisation illicite de l'outil, installer un cadenas standard (non compris) dans l'orifice de cadenas (O) situé sur la gâchette.

Retrait et installation des disques (fig. 7, 8)

▲ MISE EN GARDE : Arrêter et débrancher l'outil avant tout réglage ou avant de retirer ou installer toute pièce ou tout accessoire. S'assurer que la gâchette est bien en position d'ARRÊT. Ne faire aucun réglage tant que le disque est en mouvement. Ne faire aucun réglage tant que la scie fendeuse est branchée sur le secteur.

1. Appuyer sur le levier de verrouillage du disque (L) puis faire tourner le disque (J) à la main jusqu'à ce que le levier s'enclenche dans la rainure de la bride interne (S) pour verrouiller le disque. Desserrer le boulon (T) vers la gauche au centre du disque abrasif à l'aide de la clé hexagonale de 8 mm (G). Le boulon est fileté vers la droite.
2. Retirer le boulon (T), la rondelle (U), la bride externe (V) et l'ancien disque (J).
3. S'assurer que les surfaces de la bride sont bien propres et lisses. Installer le disque neuf en suivant la méthode inverse.
4. Attention à ne pas trop serrer le boulon.

▲ AVERTISSEMENT : Protéger la surface de travail sur laquelle la scie fendeuse repose avant de remplacer le disque. Il peut arriver que le disque entre en contact avec des OBJETS OU STRUCTURES AU-DELÀ de la surface de travail (sous la base) lorsque le bras est abaissé à fond.



Fixation

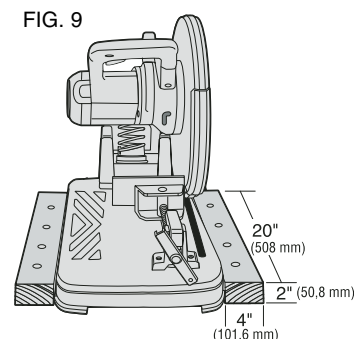
▲ MISE EN GARDE : L'outil doit être installé sur une surface stable, de niveau et antidérapante pour prévenir tout mouvement intempestif pendant son fonctionnement.

PROCÉDURE DE FIXATION PERMANENTE

1. Faire un tracé au travers des trous de la base (D) puis percer la surface de montage de deux trous de 7,94 mm (5/16 po) de diamètre.
2. Utiliser des attaches de 6,35 mm (1/4 po) pour arrimer la base à la surface de montage.

FIXATION PAR BERCEAU (FIG. 9)

1. Couper deux planches d'environ 508 mm de long x 50,8 mm de haut x 101,6 mm de large (20 po x 2 po x 4 po).
2. Disposer la scie fendeuse à l'emplacement désiré.
3. Disposer les planches tout contre chaque côté de la scie puis les clouer à la surface de travail.



Conseils d'utilisation pour une découpe plus précise

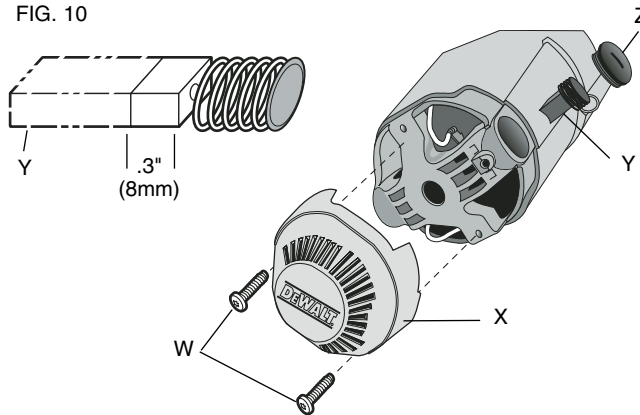
- Laisser le disque faire la découpe. Toute force excessive glacera le disque et réduira ainsi son efficacité et/ou le fera dévier provoquant des écarts de coupe.
- Régler le guide à l'angle adéquat.
- S'assurer que le matériau est bien à plat en travers de la base.
- Arrimer solidement le matériau pour éviter tout mouvement ou vibration.

ENTRETIEN

Inspection et remplacement des balais moteur (fig. 10)

⚠ **AVERTISSEMENT** : Arrêter et débrancher l'outil. S'assurer que la gâchette est bien en position d'ARRÊT.

FIG. 10



Vérifier régulièrement l'état des balais. Pour cela, dévisser les deux vis du capuchon (W) puis retirer le capuchon (X). Retirer le bouchon du porte-balais (Z). Les balais (Y) devraient bouger librement dans le porte-balais. Si les balais sont usés et mesurent moins de 8mm (3 po) comme illustré en Figure 10, les changer. Pour les réinstaller, insérer des balais neufs dans le porte-balais. Pour changer des balais existants, respecter la même orientation. Remettre le bouchon du porte-balais (**attention à ne pas trop serrer**). Remettre le capuchon et les deux vis. Serrer fermement.

Nettoyage

Il est recommandé d'éliminer poussières ou débris du carter à l'aide d'un jet d'air comprimé chaque fois que les événements semblent s'encrasser. Toujours porter des lunettes de protection et un appareil respiratoire antipoussières adéquats.

Réparations

Pour assurer la SÉCURITÉ et la FIABILITÉ de ce produit, toutes les opérations d'entretien, de réparation et de réglage doivent être effectuées dans un centre de service autorisé ou par du personnel qualifié ; n'utiliser que des pièces de rechange identiques.

REMARQUE : L'appareil peut être équipé d'un cordon trifilaire à fiche tournante de verrouillage chez un centre de service autorisé.

Lubrification

L'appareil est muni de roulements à billes scellés et graissés. Ces roulements à billes sont suffisamment lubrifiés d'usine pour la durée de vie entière de la scie fendeuse.

Accessoires

⚠ **MISE EN GARDE** : L'usage de tout autre accessoire non recommandé avec cet outil peut présenter un danger.

N'utiliser que des disques renforcés à agglomérant organique de type 1 conçus pour un régime minimal de 4100 r/min.

Les accessoires recommandés pour cet outil sont vendus séparément chez les distributeurs locaux ou dans les centres de service autorisés. Si vous avez besoin d'aide pour localiser un distributeur local ou un centre de service autorisé, veuillez contacter : DEWALT Industrial Tool Co., 701 East Joppa Road, Baltimore, MD 21286 ou appeler le 1-800-4-DEWALT (1-800-433-9258).

Garantie limitée de trois ans

DEWALT réparera, sans frais, tout produit défectueux causé par un défaut de matériel ou de fabrication pour une période de trois ans à compter de la date d'achat. La présente garantie ne couvre pas les pièces dont la défectuosité a été causée par une usure normale.

ou l'usage abusif de l'outil. Pour obtenir de plus amples renseignements sur les pièces ou les réparations couvertes par la présente garantie, visiter le site www.dewalt.com ou composer le 1 800 433-9258 (1 800 4-DeWALT). Cette garantie ne s'applique pas aux accessoires et ne vise pas les dommages causés par des réparations effectuées par un tiers. Cette garantie confère des droits légaux particuliers à l'acheteur, mais celui-ci pourrait aussi bénéficier d'autres droits variant d'un état ou d'une province à l'autre.

En plus de la présente garantie, les outils DeWALT sont couverts par notre :

CONTRAT D'ENTRETIEN GRATUIT D'UN AN

DeWALT entretiendra l'outil et remplacera les pièces usées au cours d'une utilisation normale et ce, gratuitement, pendant une période d'un an à compter de la date d'achat, et la

GARANTIE DE REMBOURSEMENT DE 90 JOURS

Si l'acheteur n'est pas entièrement satisfait, pour quelque raison que ce soit, du rendement de l'outil électrique, du laser ou de la cloueuse DeWALT, celui-ci peut le retourner, accompagné d'un reçu, dans les 90 jours à compter de la date d'achat, pour obtenir un remboursement intégral, sans aucun problème.

PRODUIT RÉNOVÉ : Tout produit rénové est couvert par une garantie gratuite d'entretien d'un an. Les garantie de remboursement sous 90 jours et garantie limitée de trois ans ne s'appliquent pas aux produits rénovés.

REPLACEMENT GRATUIT DES ÉTIQUETTES D'AVERTISSEMENT : Si les étiquettes d'avertissement deviennent illisibles ou sont perdues, composer le 1 800 4-DeWALT pour en obtenir le remplacement gratuit.

D28700 14" (355mm) CHOP SAW

SER. [REDACTED]

⚠ WARNING/ADVERTENCIA/AVERTISSEMENT

FOR SAFE OPERATION READ INSTRUCTION MANUAL. DO NOT USE TOOTHED BLADES. USE ONLY REINFORCED WHEELS RATED 4100 RPM OR HIGHER. WHEN SERVICING USE ONLY IDENTICAL REPLACEMENT PARTS. ALWAYS WEAR EYE PROTECTION. USE GUARDS. CLAMP WORK IN VISE. USE PROPER RESPIRATORY PROTECTION. DO NOT EXPOSE TO RAIN OR USE IN DAMP LOCATIONS. LEA EL MANUAL DE INSTRUCCIONES PARA UN FUNCIONAMIENTO SEGURO. NO UTILICE HOJAS DENTADAS. UTILICE SOLO RUEDAS REFORZADAS PARA 4100 RPM O MÁS. AL REPARAR, SOLO UTILICE PIEZAS DE REPUESTO IDENTICAS. UTILICE PROTECCION PARA LOS OJOS. SIEMPRE UTILICE LAS CUBIERTAS PROTECTORAS. ASEGURE EL TRABAJO EN EL TORNO CON LAS ABRAZADERAS. UTILICE PROTECCION ADECUADA PARA LAS VIAS RESPIRATORIAS. NO EXPONGA A LA LLUVIA NI UTILICE EN LUGARES HUMEDOS.

POUR ASSURER UNE UTILISATION SECURITAIRE, LIRE LE MODE D'EMPLOI. NE PAS UTILISER DE LAMES DENTÉES. UTILISER UNIQUEMENT DES MEULES DONT LA CAPACITE NOMINALE CORRESPOND À AU MOINS 4100 TR/MIN. POUR LA RÉPARATION, UTILISER UNIQUEMENT LES PIÈCES DE RECHANGE IDENTIQUES. PORTER UNE PROTECTION OCULAIRE. TOUJOURS UTILISER DES DISPOSITIFS DE GARDE. SERRER LA PIÈCE DE TRAVAIL DANS UN ÉTAU, UTILISER UNE PROTECTION RESPIRATOIRE ADEQUATE. NE PAS EXPOSER À LA PLUIE ET NE PAS UTILISER DANS UN ENDROIT HUMIDE.

DEWALT INDUSTRIAL TOOL CO. BALTIMORE, MD 21286 USA FOR SERVICE INFORMATION, CALL 1-800-4-DEWALT www.dewalt.com

Français

Guide de dépannage

PROBLEME! *L'OUTIL REFUSE DE DEMARRER*

RAISONS

1. L'appareil n'est pas branché.
2. Un fusible a sauté ou le circuit a disjoncté.
3. Le cordon est endommagé.
4. Les balais sont usés.

ACTION

1. Brancher la scie.
2. Changer le fusible ou réenclencher le disjoncteur.
3. Faire remplacer le cordon par un centre de service autorisé.
4. Changer les balais.

PROBLEME! *LES COUPES EFFECTUEES PAR L'OUTIL NE SONT PAS SATISFAISANTES*

RAISONS

1. Disque glacé.
2. Pièce disposée ou arrimée incorrectement.

ACTION

1. Corroyer le disque ou le changer.
2. Arrimer et supporter fermement la pièce.

PROBLEME! *LE DISQUE N'ARRIVE PAS A PRENDRE SA VITESSE NORMALE*

RAISONS

1. Rallonge de mauvais calibre ou trop longue.
2. Tension trop faible.
3. Générateur de tension faible.

ACTION

1. Utiliser le cordon au calibre adéquat. Se reporter à la planche en page 13.
2. Contacter votre compagnie d'électricité.
3. Vérifier le générateur de tension. Réduire le nombre d'outils utilisés avec le générateur.

PROBLEME! *L'OUTIL VIBRE DE FAÇON EXCESSIVE PENDANT LA COUPE*

RAISONS

1. L'outil n'est pas arrimé solidement au support ou à l'établi..
2. Le disque est endommagé.
3. La pièce n'est pas arrimée correctement.

ACTION

1. Resserer tout le dispositif de fixation. Se reporter à la section **Procédure de fixation permanente** en page 21.
2. Changer le disque.
3. Se reporter à la section **Arrimage et support des matériaux** en page 18.

Guide de dépannage...**PROBLEME! LES COUPES NE SONT PAS PRECISES****RAISONS**

1. Le guide n'est pas réglé correctement.
2. Le disque n'est pas d'équerre avec le guide.
3. Une force excessive est utilisée pour effectuer la coupe.
4. La pièce à travailler bouge.

ACTION

1. Vérifier et ajuster. Se reporter à la section **Utilisation du guide** en page 19.
2. Vérifier et ajuster.
3. Réduire la force utilisée et laisser le disque faire le travail.
4. Arrimer la pièce solidement. Se reporter à la section **Arrimage et support des matériaux** en page 18. S'assurer que le matériau est bien à plat contre la base.

PROBLEME! LE BRAS REFUSE DE BOUGER**RAISONS**

1. La goupille de sécurité est en place.

ACTION

1. Pousser légèrement sur le bras, tirer la goupille de sécurité puis redresser le bras.

PROBLEME! LE MATERIAU BOUGE PENDANT LA COUPE**RAISONS**

1. Le guide glisse ou la pièce est arrimée ou placée incorrectement.
2. L'étau est trop lâche.
3. La force utilisée est excessive.

ACTION

1. Se reporter à la section **Arrimage et support des matériaux** en page 18.
2. Resserrer l'étau.
3. Réduire la force utilisée.

Instrucciones de seguridad importantes

⚠ ¡ADVERTENCIA! Lea todas las instrucciones hasta comprenderlas. El incumplimiento con alguna de las instrucciones enumeradas más abajo puede resultar en descarga eléctrica, incendio y/o lesiones corporales serias.

CONSERVE ESTAS INSTRUCCIONES

- **MANTENGA LOS PROTECTORES EN SU SITIO** y en buenas condiciones de funcionamiento.
- **QUITE LAS LLAVES DE AJUSTE.** Hágase el hábito de comprobar que la herramienta no tenga ninguna llave de ajuste puesta antes de encenderla.
- **MANTENGA LIMPIA EL ÁREA DE TRABAJO.** Las áreas y mesas de trabajo desordenadas aumentan el riesgo de lesiones.
- **NO UTILICE LA HERRAMIENTA EN AMBIENTES PELIGROSOS.** No utilice máquinas herramienta en lugares húmedos o mojados ni las exponga a lluvia. Mantenga el área de trabajo bien iluminada.
- **MANTENGA ALEJADOS A NIÑOS.** Toda visita debería mantenerse a una distancia segura del área de trabajo.
- **QUE SU TALLER SEA A PRUEBA DE NIÑOS.** Para ello utilice candados o conmutadores maestros o quite las llaves de arranque.
- **NO FUERCE LA HERRAMIENTA.** La herramienta hace el trabajo mejor y más seguro a la velocidad para la cual fue diseñada.
- **UTILICE LA HERRAMIENTA CORRECTA.** No fuerce la herramienta o el accesorio a que realice una tarea para la cual no fue diseñada.
- **USE EL ALARGADOR INDICADO.** Cerciórese de que su alargador esté en buenas condiciones. Cuando use un alargador, asegúrese de que sea lo bastante resistente como

para llevar la corriente que su producto requerirá. Un alargador de menor calibre causará una caída en el voltaje de la línea lo que resultará en pérdida de potencia y sobrecalentamiento. El siguiente cuadro muestra el tamaño correcto a utilizar, dependiendo del largo del cable y del amperaje nominal. En caso de tener dudas, utilice el de mayor calibre. Mientras menor sea el número del calibre, mayor la capacidad del cable.

Calibre mínimo para cables de alimentación

Voltios	Largo total del cable en metros			
120V	0-7,6	7,6-15,2	15,2-30,4	30,4-45,7
240V	0-15,2	15,2-30,4	30,4-60,9	60,9-91,4

Amperaje

Mayor No mayor Calibre del cordón AWG

que	que				
10	-	12	16	16	14
12	-	16	14	12	No se recomienda

- **USE ROPA ADECUADA.** No lleve ropa suelta, guantes, corbatas, anillos, pulseras u otras joyas que podrían engancharse en las piezas móviles. Se recomienda el uso de calzado antideslizante. Cúbrase y recójase el pelo si lo tiene largo. Los orificios de ventilación suelen cubrir piezas en movimiento, por lo que también se deben evitar.
- **USE SIEMPRE GAFAS DE SEGURIDAD** que cumplan con los requisitos de ANSI Z87.1. Utilice además una máscara para la cara o guardapolvo si la operación de corte genera demasiado polvo. Los anteojos de uso diario sólo tienen lentes resistentes a golpes, no son gafas de seguridad.
- **AFIRME BIEN SU TRABAJO.** Utilice abrazaderas o tornillos para sujetar las piezas en las que trabaja. Es más seguro, y así podrá utilizar ambas manos para operar la herramienta.
- **NO SE SOBREEXTIENDA.** Manténgase siempre bien apoyado y equilibrado.

- **CUIDE LAS HERRAMIENTAS.** Mantenga las herramientas afiladas y limpias para un funcionamiento mejor y más seguro. Siga las instrucciones para lubricar y cambiar accesorios.
- **DESENCHUFE LAS HERRAMIENTAS** antes de reparar o mantenerlas; cuando cambie accesorios tales como hojas, brocas, mecanismos de corte y otros por el estilo.
- **REDUZCA EL RIESGO DE PUESTAS EN MARCHA ACCIDENTALES.** Asegúrese de que el conmutador esté apagado antes de enchufarla.
- **UTILICE LOS ACCESORIOS RECOMENDADOS.** Consulte el manual de instrucciones para conocer los accesorios recomendados. El uso de accesorios no debidos puede producir un riesgo de lesiones corporales.
- **NUNCA SE PARE SOBRE LA HERRAMIENTA.** Podría sufrir graves lesiones si la herramienta se cae a un lado o si se entra en contacto no intencionado con la herramienta de corte.
- **REVISE LAS PIEZAS DAÑADAS.** Antes de continuar usando la herramienta, se debe revisar cuidadosamente el protector o cualquier otra pieza dañada para determinar que funcionará correctamente y realizará la función para la que fue diseñada -verifique que las piezas móviles estén alineadas, que no estén atascadas, rotas, montadas una sobre otra o de otra forma que pudiera afectar su operación. Cualquier protector o pieza dañada debe repararse debidamente o cambiarse.
- **JAMÁS DEJE SIN SUPERVISIÓN UNA HERRAMIENTA EN FUNCIONAMIENTO. APAGUE LA HERRAMIENTA.** No deje la herramienta hasta que no se haya detenido completamente.
- **REPUESTOS.** Cuando realice mantenimiento, use sólo repuestos originales.
- **PARA REDUCIR EL RIESGO DE DESCARGA ELÉCTRICA:**
 - a. Puede que este equipo tenga un enchufe polarizado (con una para más ancha que la otra.) Este enchufe sólo puede ser insertado en una toma de corriente polarizada de una manera. Si el enchufe no entra, comuníquese

con un electricista calificado para que instale la toma de corriente apropiada.

- b. Puede que la herramienta venga equipada con un enchufe con conexión a tierra de tres patas. Este enchufe sólo puede ser utilizado en una toma de corriente con conexión a tierra. Si el enchufe no entra, comuníquese con un electricista calificado para que instale la toma de corriente apropiada.
- c. No altere el enchufe de ninguna forma.

Reglas de seguridad adicionales para sierras circulares estacionarias

- Use siempre protección ocular y respiratoria apropiada.
- Antes de usarla, revise el disco de corte para verificar que no esté trizado o tenga fallas. Si tuviera alguna trizadura o falla, descarte el disco. También se debe inspeccionar el disco siempre que piense que la herramienta pudiera haber caído. Las fallas pueden provocar la rotura del disco.
- Cuando arranque la herramienta con un disco nuevo o de repuesto o si no está seguro de la condición del disco, sostenga la herramienta en un lugar bien protegido y déjela andar por un minuto. Si el disco tiene una trizadura o falla que haya pasado inadvertida, se debería romper en pedazos en menos de un minuto. Nunca encienda la herramienta cuando haya una persona alineada con el disco. Esto incluye al operador.
- Durante la operación, evite hacer rebotar el disco o tratarlo bruscamente. Si ello sucediera, detenga la herramienta y revise que el disco no tenga trizaduras o fallas.
- Limpie su sierra circular estacionaria periódicamente, siguiendo el procedimiento de este manual.
- No quite los protectores del disco o la base.
- **SIEMPRE USE EL TORNO O DISPOSITIVO DE FIJACIÓN ESPECIAL PARA SOSTENER BIEN LA PIEZA DE TRABAJO.**

Otros dispositivos tales como abrazaderas de resorte, de barra o en C pueden ser apropiadas para piezas de trabajo de diferentes tamaños y formas. Tenga cuidado al seleccionar y colocar estas abrazaderas y haga un movimiento de práctica antes de hacer un corte.

- Use sólo discos tipo 1 de 355 mm (14 pulg.) para 4100 rpm o superiores.
- Deje que las piezas cortadas se enfríen antes de cogerlas.
- No intente cortar madera o plástico con esta herramienta.
- **NUNCA CORTE MAGNESIO CON ESTA HERRAMIENTA.**
- Use la sierra circular estacionaria en un lugar bien ventilado.
- Apague la sierra circular estacionaria antes de quitar cualquier pieza de su base.
- **NO CORTE MATERIALES CARGADOS DE ELECTRICIDAD.**
- **No use hojas para sierras circulares ni ninguna otra hoja dentada con esta herramienta.** Pueden producirse lesiones graves.
- **NO OPERE ESTA HERRAMIENTA CERCA DE LÍQUIDOS, GASES O POLVOS INFLAMABLES.** Las chispas o partículas calientes generadas del corte o las escobillas del motor podrían encender materiales combustibles.
- No use el lado del disco abrasivo como pulidor de rebabas. Esto debilitará significativamente el disco y creará una condición poco segura. El disco podría desarmarse.

▲ **PRECAUCIÓN:** Use protección auditiva apropiada durante el uso de esta herramienta. Bajo algunas condiciones y duraciones de uso, el ruido producido por este producto puede contribuir a la pérdida auditiva.

▲ **PRECAUCIÓN:** El deflector de chispas se calienta. Evite tocarlo o ajustarlo mientras está caliente. Mantenga cables y materiales alejados del deflector de chispas.

▲ **ADVERTENCIA:** Algunos tipos de polvo, como aquellos generados por el lijado, serruchado, pulido y taladrado eléctrico y otras actividades de construcción, contienen químicos que el estado de California sabe causan cáncer, defectos de nacimiento y otros daños reproductivos. Algunos ejemplos de estos químicos son:

- plomo procedente de pinturas con base de plomo,
- óxido de silicio procedente de ladrillos, cemento y otros productos de mampostería, y
- arsénico y cromo provenientes de maderas tratadas con químicos (arseniato de cobre cromado).

El peligro derivado de la exposición a estos materiales varía en función de la frecuencia con que se realice este tipo de trabajo. Para reducir su exposición a estos químicos: trabaje en una zona bien ventilada y llevando equipos de seguridad aprobados, como mascarillas antipolvo especialmente diseñadas para filtrar partículas microscópicas.

- **Evite el contacto prolongado con polvo generado por el lijado, serruchado, pulido y taladrado eléctricos y otras actividades de construcción. Vista ropa protectora y lave las áreas de la piel expuestas con agua y jabón.** Si permite que el polvo se introduzca en su boca o sus ojos, o que quede sobre la piel, puede favorecer la absorción de químicos peligrosos.

▲ **ADVERTENCIA:** La utilización de esta herramienta puede generar polvo o dispersarlo, lo que podría causar lesiones graves y permanentes al sistema respiratorio, así como otros problemas. Siempre use protección respiratoria aprobada por NIOSH (Instituto Nacional de Seguridad y Salud en el Trabajo) u OSHA (Administración de Seguridad y Salud en el Trabajo) apropiada para la exposición al polvo. Dirija las partículas en dirección contraria a la cara y el cuerpo.

Para su conveniencia y seguridad, su sierra circular estacionaria para trabajo pesado de 355 mm (14 pulg.) tiene las siguientes advertencias:

⚠ PARA OPERARLA DE UNA MANERA SEGURA, LEA EL MANUAL DE INSTRUCCIONES.

NO UTILICE HOJAS DENTADAS.

UTILICE SÓLO DISCOS REFORZADOS CALIFICADOS PARA 4100 RPM O SUPERIORES.

CUANDO REALICE MANTENIMIENTO, USE SÓLO REPUESTOS ORIGINALES.

SIEMPRE: UTILICE PROTECCIÓN OCULAR; USE LOS PROTECTORES DE HOJA; SUJETE LA PIEZA DE TRABAJO CON EL TORNO; UTILICE LA PROTECCIÓN RESPIRATORIA APROPIADA.

NO EXPONGA A LLUVIA NI USE EN LUGARES HÚMEDOS.

CARACTERÍSTICAS (FIG. 1, 4)

- | | |
|----------------------------------|-----------------------------------|
| A. Clavija de fijación | J. Disco |
| B. Tornillo deflector de chispas | K. Protector |
| C. Deflector de chispas | L. Palanca de fijación del disco |
| D. Base | M. Perno de tope de profundidad |
| E. Guía | O. Orificio para insertar candado |
| N. Conmutador tipo gatillo | P. Tuerca de obstrucción |
| F. Torno | Q. Pernos para la guía |
| G. Llave hexagonal de 8 mm | |
| H. Manivela | |
| I. Palanca del torno | |

Alimentación eléctrica

Compruebe que su suministro eléctrico concuerde con el indicado en la placa nominal. 120 voltios, "60 Hz" significa corriente alterna (normal 120 voltios, 60 Hz de corriente doméstica).

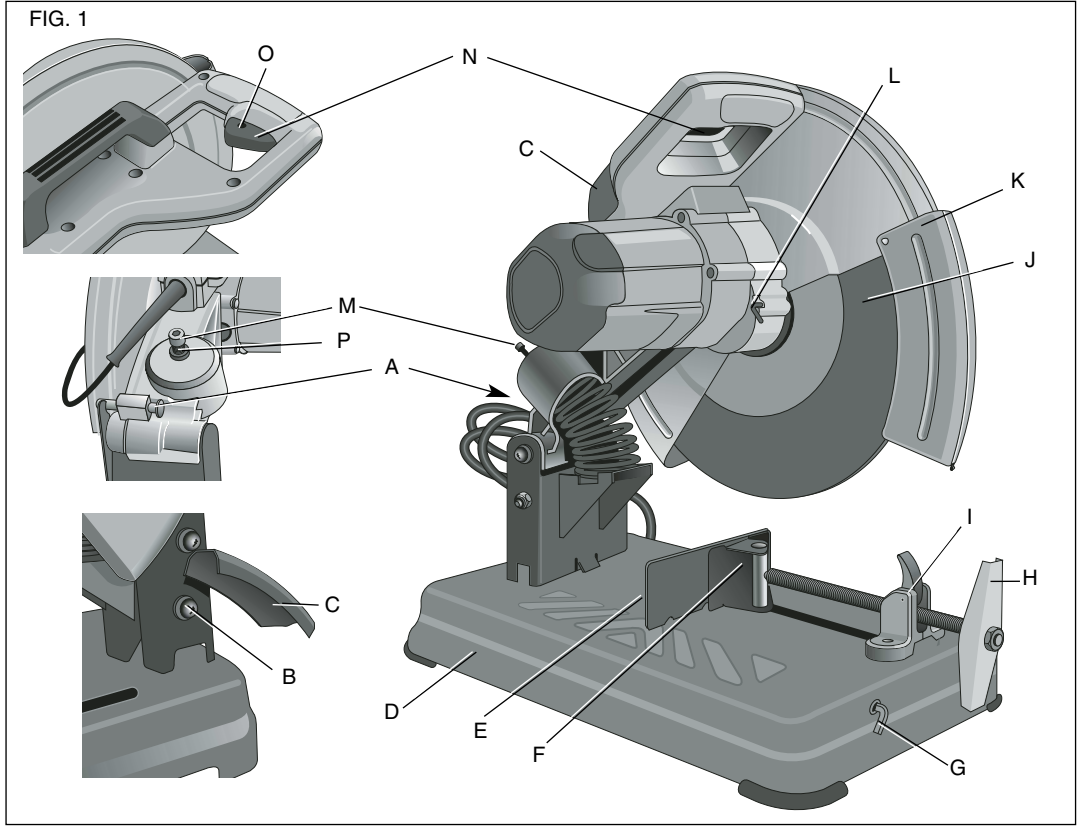
Una reducción de voltaje superior al 10% provocará pérdida de potencia y sobrecalentamiento.

Capacidad de corte

La amplitud de apertura del torno y la altura del punto de pivote proporcionan capacidad de corte para varias piezas grandes. Use la tabla de capacidad de corte para determinar el tamaño máximo total de los cortes que se pueden realizar con un disco nuevo.

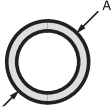
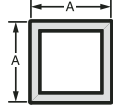
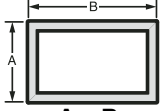
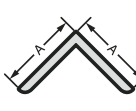
⚠ PRECAUCIÓN: PUEDE QUE CIERTOS OBJETOS GRANDES, CIRCULARES O DE FORMAS IRREGULARES REQUIERAN DE SOPORTE ADICIONAL SI NO PUEDEN SER SUJETOS FIRMEMENTE EN EL TORNO.

⚠ PRECAUCIÓN: NO CORTE MAGNESIO CON ESTA HERRAMIENTA.



CAPACIDAD MÁXIMA DE CORTE

NOTA: La capacidad indicada en la tabla supone que el disco no está desgastado y que la guía está en la posición óptima.

Forma de la pieza de trabajo:				
			A x B	
Ángulo de corte de 90°	A = 115 mm (4,5 pulg.)	A = 119 mm (4-11/16 pulg.)	115 mm x 130 mm (4-1/2 pulg. x 5-1/8 pulg.) 102 mm x 194 mm (4 pulg. x 7-5/8 pulg.) 76 mm x 229 mm (3 pulg. x 9 pulg.)	A = 137 mm (5-3/8 pulg.)
Ángulo de corte de 45°	A = 98 mm (3-13/16 pulg.)	A = 98 mm (3-13/16 pulg.)	115 mm x 98 mm (4-1/2 pulg. x 3-13/16 pulg.)	A = 98 mm (3-3/16 pulg.)

Equipo estándar

- 1 disco abrasivo de 355 mm (14 pulg.) para cortar metales
- 1 Llave para el disco
- 1 Manual de instrucciones

Para portar (Fig. 1)

Doble la unidad a una posición que le permita portar la sierra. Empuje la clavija de fijación (A) para fijar el brazo hacia abajo.

Para quitar el seguro (Fig. 1)

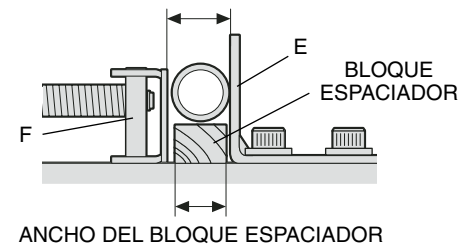
Para quitar el seguro y elevar la cabeza de la herramienta, presione el brazo del motor ligeramente y tire de la clavija de fijación (A) para quitarla. El brazo del motor se levantará.

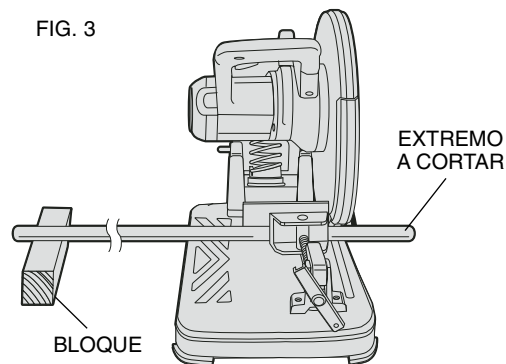
Soporte y fijación del material

- Podrá sujetar y cortar ángulos mejor con ambas piernas descansando contra la base.

- Se puede utilizar un bloque espaciador ligeramente más angosto que la pieza de trabajo para aumentar la utilización de la rueda (Fig. 2).

FIG. 2 DIÁMETRO DE LA PIEZA DE TRABAJO





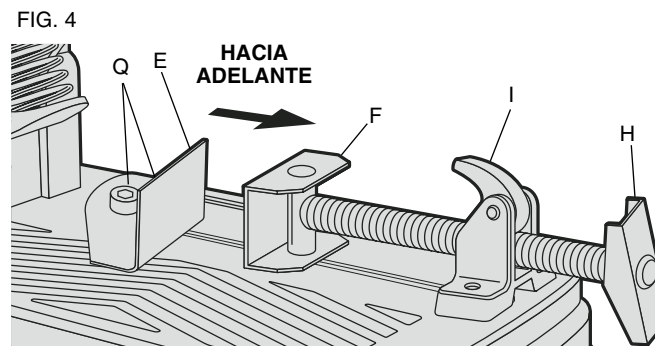
- Las piezas de trabajo largas deben ser soportadas por un bloque para que estén al mismo nivel que la parte superior de la base (Fig. 3). El extremo a cortar debería poder caer libremente para evitar que el disco se atasque.

Ajuste del deflector de chispas (Fig. 1)

Para deflectar mejor las chispas de las personas y los materiales circundantes, afloje el tornillo (B), ajuste el deflector de chispas (C) y vuelva a ajustar el tornillo. No permita que el cable entre en contacto con el deflector o las chispas para evitarle daños.

Operación del torno (Fig. 4)

El torno (F) tiene una característica que permite soltarlo rápidamente. Para soltar el torno cuando está bien ajustado, gire la manivela (H) en dirección contraria a las manillas del reloj una o dos veces para liberar la presión de ajuste. Levante la palanca del torno (I). Tire de la unidad de la manivela lo más que desee. El torno puede ser empujado hacia la pieza de trabajo sin tener que girar la manivela. Baje la palanca del torno (I) y luego ajuste el torno (F) en la pieza de trabajo, girando la manivela (H).



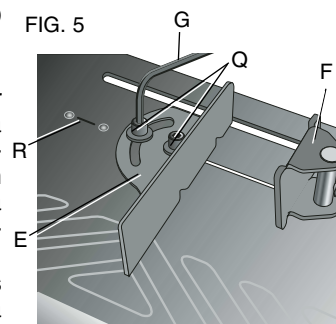
Operación de la guía

⚠ PRECAUCIÓN: Apague y desenchufe la herramienta antes de realizar ajustes o de quitarle o ponerle accesorios. Asegúrese que el conmutador tipo gatillo esté APAGADO.

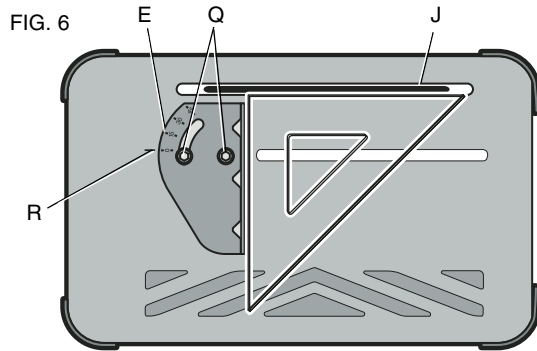
La guía (E) puede ser ajustada en una de dos formas: para cambiar el ángulo de corte deseado y cambiar el espacio entre la guía y el torno.

PARA CAMBIAR EL ÁNGULO DE CORTE DESEADO (FIG. 5, 6)

Use la llave incluida para aflojar (sin quitar) los dos pernos de la guía (Q). Alinee la línea de indicación del ángulo deseado con la línea de la ranura (R) en la base (D). Ajuste bien ambos pernos de la guía antes de usarla. Para realizar cortes cuadrados más precisos, desenchufe la herramienta, afloja los dos



pernos de la guía, empuje el brazo hacia abajo hasta que el disco se extienda dentro de la base. Coloque una escuadra contra el disco y ajuste la guía contra la escuadra. Ajuste bien ambos pernos de la guía antes de usarla.



Puede que el torno (F) no sujete bien la pieza de trabajo al realizar cortes a inglete, dependiendo del grosor de la pieza y el ángulo de inglete. Otros dispositivos auxiliares (tales como abrazaderas de resorte, de barra o en C) serán entonces necesarios para sujetar la pieza a la guía al realizar estos cortes.

PARA CAMBIAR EL ESPACIO ENTRE LA GUÍA Y EL TORNO

Con la llave incluida, afloje y retire ambos pernos de la guía (Q). Ajuste la guía (E) al lugar deseado. Inserte ambos pernos de la guía en los lugares previstos. Ajuste bien ambos pernos de la guía antes de usarla.

Topo de profundidad (Fig. 1)

El topo de profundidad viene fijado de fábrica para un disco de 355 mm (14 pulg.) nuevo, para evitar que el disco corte la superficie de apoyo. Para permitir una mayor profundidad de corte, use la llave hexagonal de 8 mm incluida (G) para aflojar el perno de topo de

profundidad (M). Luego eleve el perno a la altura deseada y gire la tuerca de obstrucción (P) en dirección de las manillas del reloj hasta que queden firmemente asentadas sobre la moldura. Ajuste bien el perno de topo de profundidad antes de usarlo.

⚠ PRECAUCIÓN: Cuando cambie el disco por uno nuevo, vuelva a ajustar el topo a la posición original para evitar que corte la superficie de apoyo.

Conmutador tipo gatillo (Fig. 1)

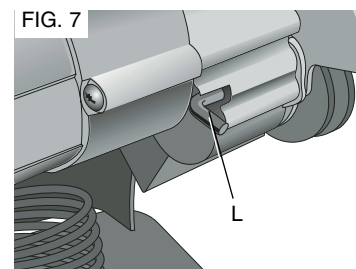
Para arrancar la herramienta, presione el conmutador tipo gatillo (N). Para apagar la herramienta, suelte el conmutador tipo gatillo. Mantenga las manos y el material alejados del disco hasta que se haya detenido completamente.

Para prevenir el uso no autorizado de la herramienta, instale un candado estándar (no incluido) en el orificio para candados (O) ubicado en el gatillo.

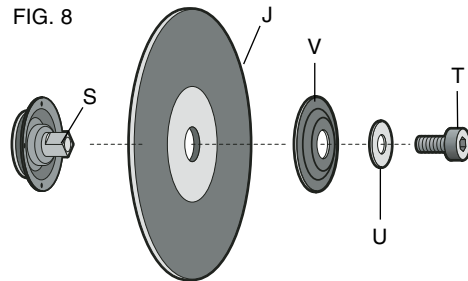
Retiro e instalación de discos (Fig. 7, 8)

⚠ PRECAUCIÓN: Apague y desenchufe la herramienta antes de realizar ajustes o de quitarle o ponerle accesorios. **Asegúrese que el conmutador tipo gatillo esté APAGADO. No realice ningún ajuste mientras el disco esté en movimiento. No realice ningún ajuste mientras la sierra circular estacionaria esté enchufada a la toma de corriente.**

1. Empuje la palanca de fijación del disco (L) hacia adentro y gire el disco (J) con la mano hasta que la palanca de fijación del disco enganche en la ranura dentro de la pestaña (S) para fijar el disco. Afloje el perno (T) que está en



el centro del disco abrasivo girándolo en dirección contraria a las manillas del reloj con la llave hexagonal de 8 mm (G). El perno tiene un hilo diestro.



2. Retire el perno (T), la arandela (U), la pestaña exterior (V) y el disco viejo (J).
3. Asegúrese que las superficies de la pestaña queden limpias y planas. Instale el disco abrasivo nuevo invirtiendo los pasos de más arriba.
4. No ajuste demasiado el perno.

⚠ ADVERTENCIA: Revise la superficie de trabajo sobre la cual descansa la sierra cuando le cambie el disco abrasivo por uno nuevo. Es posible que el disco entre en contacto con CUALQUIER COSA O ESTRUCTURA QUE SE EXTIENDA por encima de la superficie de trabajo (debajo de la base) cuando el brazo está totalmente abajo.

Montaje

⚠ PRECAUCIÓN: La herramienta debe ser apoyada sobre una superficie estable, nivelada y no deslizante para evitar el movimiento inesperado de esta durante la operación.

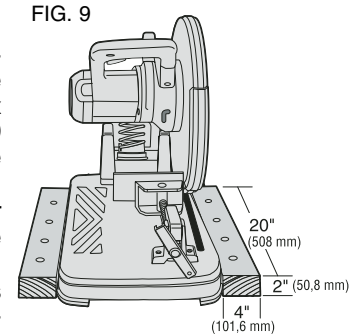
PROCEDIMIENTO PARA MONTAJE PERMANENTE

1. Marque por los orificios de la base (D) y perforo dos orificios de 7,94 mm (5/16 pulg.) de diámetro en la superficie de montaje.

2. Use fijadores de 6,35 mm (1/4 pulg.) para fijar la base en forma segura a la superficie de montaje.

MONTAJE CON SOPORTES (FIG. 9)

1. Corte dos tablas de aproximadamente 508 mm de largo x 50,8 mm de alto x 101,6 mm de ancho (20 pulg. de largo x 2 pulg. de alto x 4 pulg. de ancho).
2. Coloque la sierra circular estacionaria en el lugar de trabajo deseado.
3. Coloque las tablas a ambos lados de la sierra, ajustándola entre ellas, y clávelas a la superficie de trabajo.



Consejos de operación para cortes más precisos

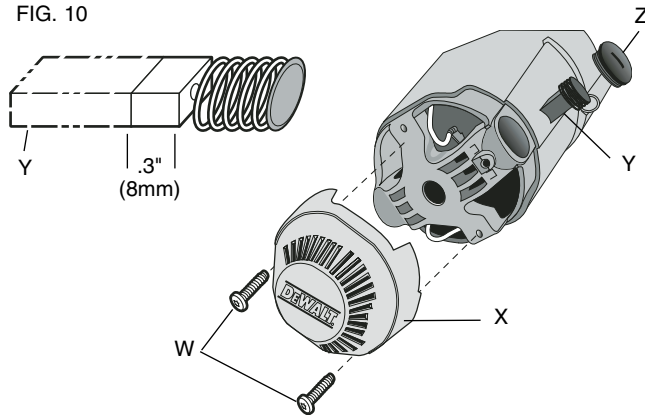
- Deje que el disco realice el corte. Si usa demasiada fuerza, el disco podría resbalar, reduciendo así su eficiencia de corte o deflectar, causando cortes imprecisos.
- Ajuste debidamente el ángulo de la guía.
- Asegúrese que el material esté plano contra la base.
- Sujete bien el material con dispositivos de sujeción para evitar que se mueva y que la sierra vibre.

MANTENIMIENTO

Inspección y cambio de escobillas del motor (Fig. 10)

⚠ ADVERTENCIA: Apague y desenchufe la herramienta. Asegúrese que el conmutador tipo gatillo esté APAGADO.

FIG. 10



Las escobillas deberían ser revisadas regularmente para verificar que no estén desgastadas. Para revisar las escobillas, destornille los dos tornillos de la tapa (W) y retire la tapa (X). Retire la tapa de las escobillas (Z). Las escobillas (Y) deberían poder deslizarse libremente dentro de la caja. Si las escobillas están desgastadas a 8 mm (0,3 pulg.), como aparece en la Figura 10, deberían ser cambiadas. Para volverlas a instalar, empuje la escobilla nueva dentro de la caja. Si va a reponer la escobilla existente, recuerde poner la escobilla en la misma orientación que cuando fue retirada. Reponga la tapa de las escobillas (**no sobreajuste**). Reponga la tapa y los dos tornillos. Ajuste firmemente.

Limpieza

Se recomienda limpiar el polvo y la arenilla de la caja principal de la herramienta con una manguera de aire, tan frecuentemente como sea necesario limpiar tierra acumulada en las rejillas de ventilación y alrededor de estas. Use siempre protección ocular y respiratoria apropiada.

Reparaciones

Las reparaciones, el mantenimiento y los ajustes de este producto deberían ser realizados por centros de servicio autorizados u otras organizaciones de servicio calificadas, usando siempre repuestos originales, para garantizar la **SEGURIDAD** y **FIABILIDAD** del producto.

NOTA: La unidad puede ser convertida a una con un cable de alimentación de 3 hilos y cierre por torsión en un centro de servicio autorizado.

Lubricación

Se utilizaron rodamientos de grasa sellada, cerrados en toda la herramienta. Estos rodamientos vienen con suficiente lubricación de fábrica para durar la vida útil de la sierra circular estacionaria.

Accesorios

⚠ PRECAUCIÓN: La utilización de cualquier accesorio no recomendado para esta herramienta puede ser peligrosa.

Use sólo discos de alta resistencia tipo 1 orgánicos calificados para 4100 rpm o superiores.

Puede comprar los accesorios recomendados para su herramienta donde su distribuidor local o en el centro de servicio autorizado. Si necesita ayuda para ubicar su distribuidor local o centro de servicio autorizado, contacte a: DeWalt Industrial Tool Co., 701 East Joppa Road, Baltimore, MD 21286 o llame al 1-800-4-DeWALT (1-800-433-9258).

Garantía limitada por tres años

DeWALT reparará, sin cargo, cualquier falla que surja de defectos en el material o la fabricación del producto, por hasta tres años a contar de la fecha de compra. Esta garantía no cubre fallas de las piezas causadas por su desgaste normal o abuso a la herramienta. Para mayores detalles sobre la cobertura de la garantía e información acerca de reparaciones realizadas bajo garantía, visítenos en

www.dewalt.com o dirígase al centro de servicio más cercano. Esta garantía no aplica a accesorios o a daños causados por reparaciones realizadas o intentadas por terceros. Esta garantía le otorga derechos legales específicos, además de los cuales puede tener otros dependiendo del estado o provincia en que se encuentre.

Además de la garantía, las herramientas DEWALT están cubiertas por:

1 AÑO DE SERVICIO GRATUITO

DEWALT mantendrá la herramienta y reemplazará las piezas gastadas por su uso normal, sin cobro, en cualquier momento durante un año a contar de la fecha de compra.

GARANTÍA DE REEMBOLSO DE SU DINERO POR 90 DÍAS

Si no está completamente satisfecho con el desempeño de su máquina herramienta, láser o clavadora DEWALT, cualquiera sea el motivo, podrá devolverlo hasta 90 días de la fecha de compra con su recibo y obtener el reembolso completo de su dinero – sin necesidad de responder a ninguna pregunta.

PRODUCTO REACONDICIONADO: Los productos reacondicionados están cubiertos bajo la Garantía de 1 Año de Servicio Gratuito. La Garantía de 90 Días de Reembolso de su Dinero y la Garantía Limitada de Tres Años no aplican a productos reacondicionados.

SUSTITUCIÓN GRATUITA DE LAS ETIQUETAS DE ADVERTENCIA: Si las etiquetas de advertencia se vuelven ilegibles o se pierden, llame al 1-800-4-DEWALT para conseguir gratuitamente otras de repuesto.



PARA REPARACIÓN Y SERVICIO DE SUS HERRAMIENTAS ELÉCTRICAS, FAVOR DE DIRIGIRSE AL CENTRO DE SERVICIO MÁS CERCANO

CULIACAN, SIN

Av. Nicolás Bravo #1063 Sur - Col. Industrial Bravo (667) 7 12 42 11

GUADALAJARA, JAL

Av. La Paz #1779 - Col. Americana Sector Juárez (33) 3825 6978

MEXICO, D.F.

Eje Central Lázaro Cárdenas No. 18
Local D, Col. Obrera (55) 5588 9377

MERIDA, YUC

Calle 63 #459-A - Col. Centro (999) 928 5038

MONTERREY, N.L.

Av. Francisco I. Madero No.831 - Col. Centro (81) 8375 2313

PUEBLA, PUE

17 Norte #205 - Col. Centro (222) 246 3714

QUERETARO, QRO

Av. Madero 139 Pte. - Col. Centro (442) 214 1660

SAN LUIS POTOSI, SLP

Av. Universidad 1525 - Col. San Luis (444) 814 2383

TORREON, COAH

Blvd. Independencia, 96 Pte. - Col. Centro (871) 716 5265

VERACRUZ, VER

Prolongación Díaz Mirón #4280 - Col. Remes (229) 921 7016

VILLAHERMOSA, TAB

Constitución 516-A - Col. Centro (993) 312 5111

PARA OTRAS LOCALIDADES LLAME AL: (55) 5326 7100

Información Técnica

D28700

Tensión de alimentación: 120 V AC ~
Consumo de corriente: 15 A
Frecuencia de alimentación: 50/60 Hz
Potencia nominal: 1 600 W
Rotación sin carga: 3 800/min

IMPORTADOR: DeWALT S.A. DE C.V.
BOSQUES DE CIDROS ACCESO RADIATAS NO. 42
COL. BOSQUES DE LAS LOMAS, 3A. SECCIÓN, CP 05120
DELEGACIÓN CUAJIMALPA, MÉXICO, D.F.
TEL. 5 326 7100
R.F.C.: BDE810626-1W7

Para servicio y ventas consulte
"HERRAMIENTAS ELECTRICAS"
en la sección amarilla.



Español

Guía de resolución de problemas

¡PROBLEMA! *LA HERRAMIENTA NO ARRANCA*

¿QUÉ SUCEDE?

1. La herramienta no está enchufada.
2. Un fusible está quemado o el interruptor de circuito fue activado.
3. El cable está dañado.
4. Las escobillas están desgastadas.

QUÉ HACER...

1. Enchufe la sierra.
2. Cambie el fusible o reposicione el interruptor de circuito.
3. Haga cambiar el cable en un centro de servicio autorizado.
4. Cambie las escobillas.

¡PROBLEMA! *LA HERRAMIENTA REALIZA CORTES NO SATISFACTORIOS*

¿QUÉ SUCEDE?

1. El disco se resbala.
2. La pieza de trabajo fue colocada o fijada incorrectamente.

QUÉ HACER...

1. Rectifique el disco o cámbielo por uno nuevo.
2. Fije y soporte bien la pieza de trabajo

¡PROBLEMA! *LA HOJA NO ALCANZA LA VELOCIDAD NECESARIA*

¿QUÉ SUCEDE?

1. El alargador es de un calibre demasiado bajo o es demasiado largo.
2. Bajo voltaje.
3. Bajo voltaje de generador.

QUÉ HACER...

1. Usar un cable del calibre adecuado. Ver la tabla en la página 26.
2. Contacte a su empresa eléctrica.
3. Revise el voltaje de salida del generador. Reduzca el número de herramientas alimentadas por el generador.

¡PROBLEMA! *LA HERRAMIENTA VIBRA EXCESIVAMENTE DURANTE EL CORTE*

¿QUÉ SUCEDE?

1. La herramienta no ha sido montada bien al soporte o la mesa de trabajo.
2. Disco dañado.
3. La pieza de trabajo no ha sido debidamente fijada.

QUÉ HACER...

1. Ajuste todos los accesorios de montaje. Vea la página 34, **Procedimiento para montaje permanente.**
2. Cambie el disco.
3. Vea **Soporte y fijación del material** página 31.

Guía de resolución de problemas...

**¡PROBLEMA! NO REALIZA CORTES PRECISOS
¿QUÉ SUCEDE?**

1. La guía no ha sido debidamente ajustada.
2. El disco no está cuadrado con la guía.
3. Se usó demasiada fuerza para realizar el corte.
4. La pieza de trabajo se movió.

QUÉ HACER...

1. Revise y ajuste. Vea **Operación de la guía** en la página 32.
2. Revise y ajuste.
3. Reduzca la fuerza de corte; deje que el disco haga el trabajo.
4. Fije bien la pieza de trabajo. Vea **Soporte y fijación del material** página 31. Asegúrese que el material esté plano contra la base.

**¡PROBLEMA! EL BRAZO ESTÁ FIJO
¿QUÉ SUCEDE?**

1. La clavija de fijación está enganchada.

QUÉ HACER...

1. Empuje el brazo ligeramente hacia abajo, tire del dispositivo de fijación hacia abajo y eleve el brazo.

**¡PROBLEMA! EL BRAZO ESTÁ FIJO
¿QUÉ SUCEDE?**

1. La guía se resbala o la pieza de trabajo está mal colocada o no debidamente soportada.
2. El torno está demasiado flojo
3. Demasiada fuerza durante el corte.

QUÉ HACER...

1. Vea **Soporte y fijación del material** página 31.
2. Ajuste el torno.
3. Use menos fuerza para cortar.

DEWALT Industrial Tool Co., 701 Joppa Road, Baltimore, MD 21286
(FEB05) Form No. 621106-00 D28700 Copyright © 2005 DEWALT

The following are trademarks for one or more DEWALT power tools: the yellow and black color scheme; the "D" shaped air intake grill; the array of pyramids on the handgrip; the kit box configuration; and the array of lozenge-shaped humps on the surface of the tool.